

REV	DESCRIPTION	DRW.	DATE
00	初版发行	M.C.N	2024.05.24

Notes/备注:

- Electrical properties/电气特性
UL Standard/UL 标准

Use Group/应用组别	B	C	D
Rated Voltage/额定电压 (V)	300	/	300
Rated Current/额定电流 (A)	10	/	10
Withstanding voltage/工频耐电压	AC 1600V/1Min		

IEC Standard/IEC标准

Rated Voltage/额定电压 (V): 320
Rated Current/额定电流 (A): 15

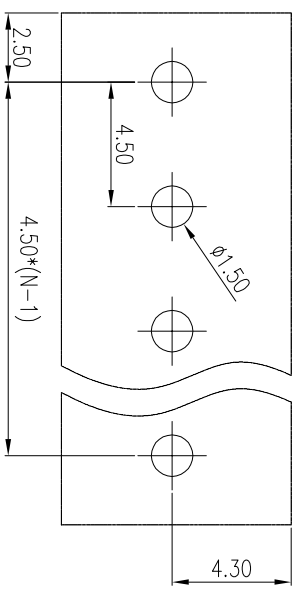
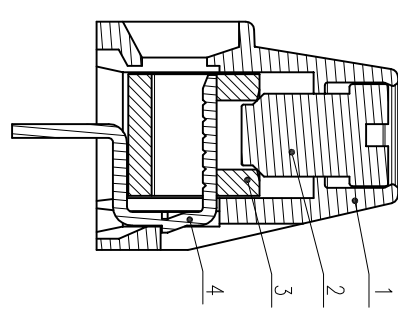
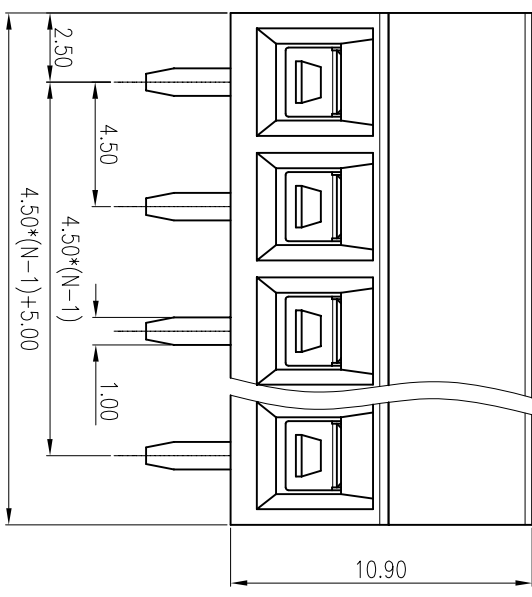
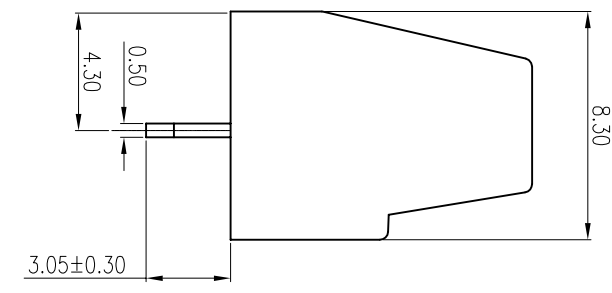
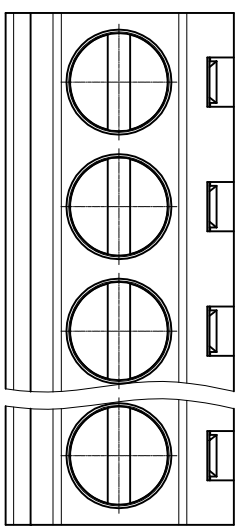
Overvoltage Category/过电压类别 /Pollution Degree/污染等级	II/2	III/2	III/3
Voltage/电压 (V)	630	320	250
Rated impulse Voltage/冲击耐电压(KV)	4	4	4

2. Connection data/连接数据

Wire range/线径范围(AWG/mm²): 30~16/0.14~1.5
Stripping length/剥线长度 (mm): 5~6
Wire tightening torque/锁线扭矩(N.m): 0.5

3. Environmental safety/环境安全

Operating temperature/工作温度范围(°C): -40~+105
RoHS compliant/符合RoHS环保要求



PCB LAYOUT

Part No./料号说明:

F127-4.5-XXP-1-X

Poles/极数
02:2Poles
03:3Poles
...
24:24Poles

Color/颜色
1:Brown/棕色
2:Red/红色
3:Orange/橙色
4:Yellow/黄色
5:Green/绿色
6:Blue/蓝色
7:Purple/紫色
8:Grey/灰色
9:White/白色
A:Black/黑色

ITEM	NAME OF PART	MATERIAL	NOTES
4	PIN HEADER 焊针	Brass	Sn Plated
3	CAGE 方块	Brass	M3/Ni Plated
2	SCREW 螺丝	Steel	M3/Zn Plated
1	HOUSING 主体	PA66	UL94 V-0

PART NO.: F127-4.5-XXP-1-X

APP. M.X.B	DATE: 2024.05.24
CHK. C.W	DATE: 2024.05.24
DRW. M.C.N	DATE: 2024.05.24
PROJECTION	DRAWING TYPE: Customer Drawing
UNITS: mm	SCALE: 5:1
SHEET/OF: 1/1	



昆山艾尼威尔电子有限公司
KUN SHAN AINWELL ELECTRONICS CO.,LTD

Nominal dimension		Tolerances (mm)	
0 to 18	over	±0.25	±0.3
18 to 30	over	±0.35	±0.5
30 to 50	over	±0.7	±0.9
50 to 80	over	±1.0	±1.0
80 to 120	over	±1.0	±1.2
120 to 180	over	±1.0	±1.2
180 to 250	over	±1.0	±1.2
250 to 320	over	±1.0	±1.2