

REV	DESCRIPTION	DRW.	DATE
00.1	初版发行	T.P.W	2024.07.05

Notes/备注:

1. Electrical properties/电气特性  
UL Standard/UL 标准

Use Group/应用组别	B	C	D
Rated Voltage/额定电压 (V)	600	600	/
Rated Current/额定电流 (A)	115	115	/
Withstanding voltage/工频耐电压	AC 3500V/1Min		

IEC Standard/IEC 标准

Rated Voltage/额定电压 (V): 1000  
Rated Current/额定电流 (A): 125

Overvoltage Category/过电压类别 /Pollution Degree/污染等级	II/2	III/2	III/3
Voltage/电压 (V)	1000	1000	1000
Rated Impulse Voltage/冲击耐电压(KV)	8	8	8

2. Connection data/连接数据

Wire range/线径范围(AWG/mm<sup>2</sup>): 20~2/0.5~35  
Stripping length/剥线长度(mm): 18  
Wire tightening torque/导线扭矩(N.m): 2.5

3. Environmental safety/环境安全

Operating temperature/工作温度范围(°C): -40~+105  
RoHS compliant/符合RoHS环保要求

Part No./料号说明:

F139TM-15.0-XXP-2-X

Poles/P数

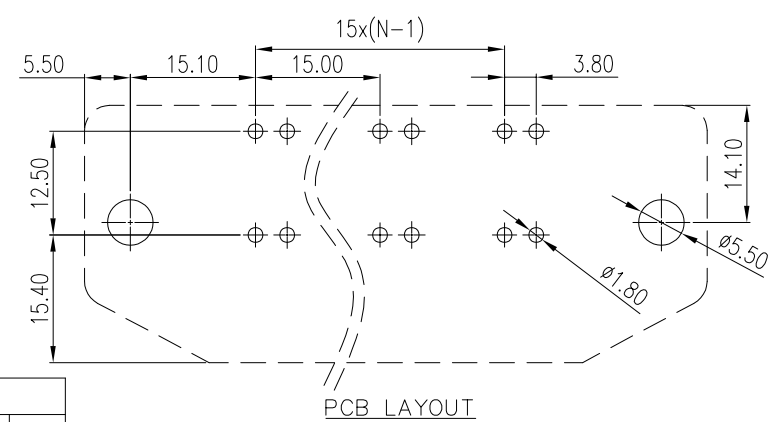
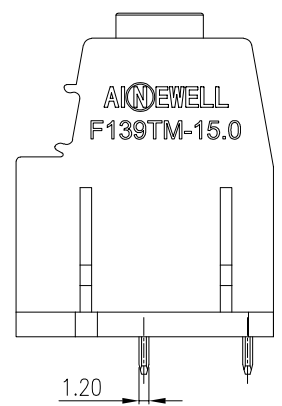
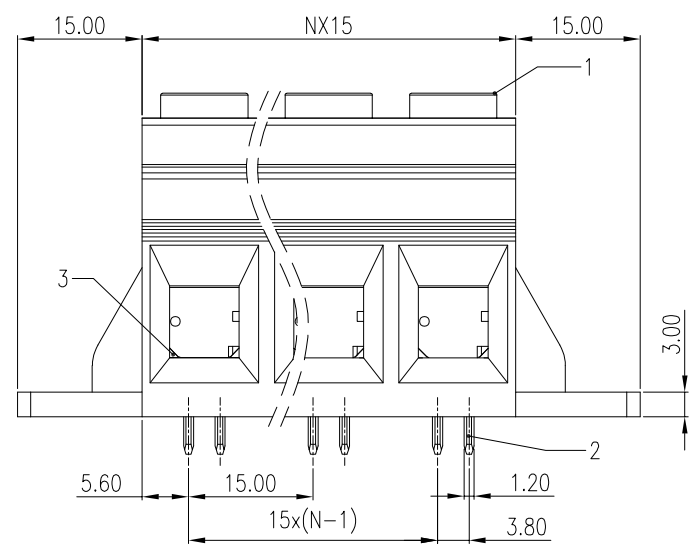
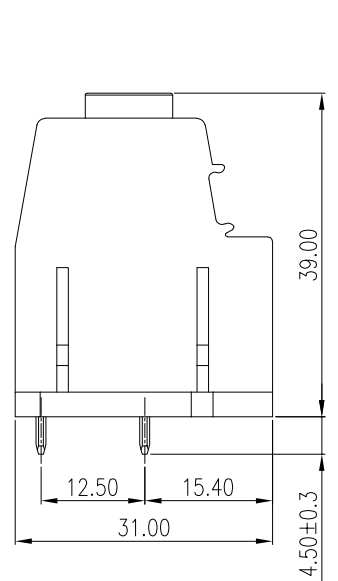
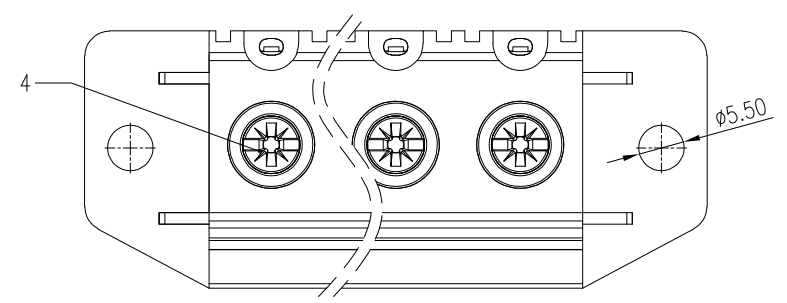
02: 2Poles  
03: 3Poles  
...  
12: 12Poles

Color/颜色

1: Brown/棕色 6: Blue/蓝色  
2: Red/红色 7: Purple/紫色  
3: Orange/橙色 8: Grey/灰色  
4: Yellow/黄色 9: White/白色  
5: Green/绿色 A: Black/黑色

4	SCREW 螺丝	Steel	M5/Zn Plated
3	CAGE 方块	Steel	M5/Zn Plated
2	PIN HEADER 焊针	Copper Alloy	Sn Plated
1	HOUSING 主体	PA66	UL94 V-0
ITEM	NAME OF PART	MATERIAL	NOTES

APP.	DATE:	PART NO: <b>F139TM-15.0-XXP-2-X</b>	
CHK.	DATE:		
DRW. T.P.W	DATE: 2024.07.05	DARWING TYPE: Customer Drawing	
PROJECTION		UNITS: mm	SCALE: 1.5:1 SHEET/OF: 1/1
<b>AINEWELL</b>		昆山艾尼维尔电子有限公司 KUN SHAN AINEWELL ELECTRONICS CO.,LTD	



Nominal dimension Tolerances (mm)							
	over 18 to 18	over 30 to 30	over 50 to 50	over 80 to 80	over 120 to 120	over 180 to 180	over 250 to 250
	±0.25	±0.3	±0.35	±0.5	±0.7	±0.9	±1.0