

REV	DESCRIPTION	DRW.	DATE
00	初版发行	C.W	2023.05.22

Notes/备注:

1. Electrical properties/电气特性  
UL Standard/UL 标准

Use Group/应用组别	B	C	D
Rated Voltage/额定电压 (V)	300	/	300
Rated Current/额定电流 (A)	16	/	10
Withstanding voltage/工频耐电压	AC 1600V/1Min		

IEC Standard/IEC 标准

Rated Voltage/额定电压 (V): 320  
Rated Current/额定电流 (A): 18

Overvoltage Category/过电压类别 /Pollution Degree/污染等级	II/2	III/2	III/3
Voltage/电压 (V)	630	320	250
Rated Impulse Voltage/冲击耐电压(KV)	4	4	4

2. Connection data/连接数据

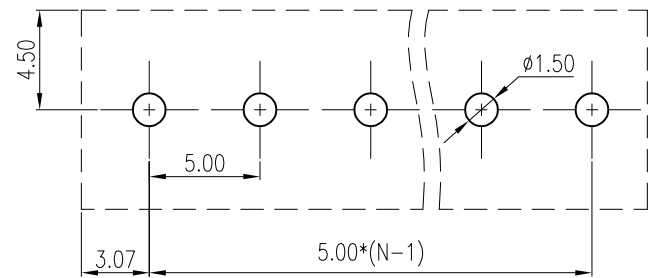
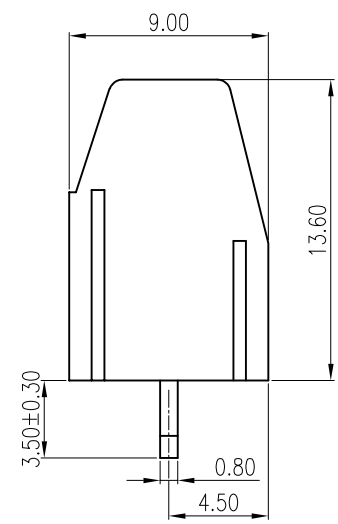
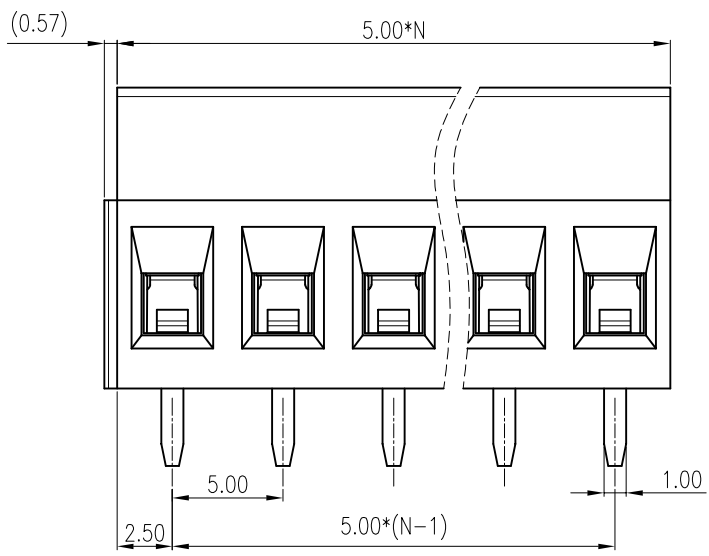
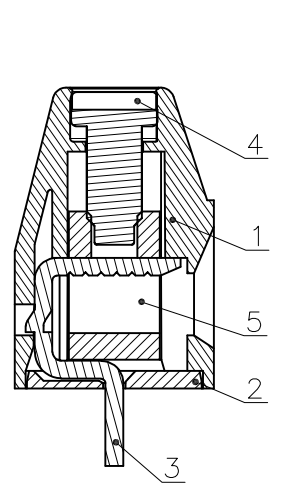
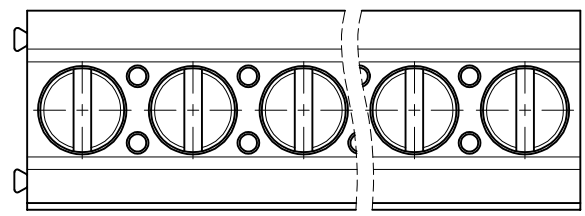
Wire range/线径范围(AWG/mm<sup>2</sup>): 26~12/0.2~2.5  
Stripping length/剥线长度(mm): 6~7  
Wire tightening torque/导线扭矩(N.m): 0.4

3. Environmental safety/环境安全

Operating temperature/工作温度范围(°C): -40~+105  
RoHS compliant/符合RoHS环保要求

5	Cage 方块	Copper Alloy	M2.5/Ni Plated
4	Screw 螺丝	Steel	M2.5/Zn Plated
3	Solder Pin 端子	Copper Alloy	Sn Plated
2	COVER 盖板	PA66	UL94 V-0
1	Housing 主体	PA66	UL94 V-0
ITEM	NAME OF PART	MATERIAL	NOTES

APP.	DATE:	PART NO: <b>F125V-5.0-XXP-1-X</b>
CHK.	DATE:	
DRW. C.W	DATE: 2023.05.22	DARWING TYPE: Customer Drawing
PROJECTION		UNITS: mm    SCALE: 4:1    SHEET/OF: 1/1
<b>AINEWELL</b>		昆山艾尼维尔电子有限公司 KUN SHAN AINEWELL ELECTRONICS CO.,LTD



PCB LAYOUT

Part No./料号说明:  
**F125V-5.0-XXP-1-X**

Nominal dimension		Tolerances (mm)					
0 to 18	over 18 to 30	over 30 to 50	over 50 to 80	over 80 to 120	over 120 to 180	over 180 to 250	over 250 to 320
±0.25	±0.3	±0.35	±0.5	±0.7	±0.9	±1.0	±1.2

Poles/P数	Color/颜色
02: 2Poles	1: Brown/棕色    6: Blue/蓝色
03: 3Poles	2: Red/红色    7: Purple/紫色
...	3: Orange/橙色    8: Grey/灰色
24: 24Poles	4: Yellow/黄色    9: White/白色
	5: Green/绿色    A: Black/黑色