

| REV | DESCRIPTION | DRW. | DATE       |
|-----|-------------|------|------------|
| 00  | 初版方案        | C.W  | 2023.08.05 |

Notes/备注:

1. Electrical properties/电气特性  
UL Standard/UL 标准

| Use Group/应用组别             | B             | C   | D   |
|----------------------------|---------------|-----|-----|
| Rated Voltage/额定电压 (V)     | 600           | 600 | 600 |
| Rated Current/额定电流 (A)     | 30            | 30  | 5   |
| Withstanding voltage/工频耐电压 | AC 2200V/1Min |     |     |

IEC Standard/IEC标准

Rated Voltage/额定电压 (V): 1000  
Rated Current/额定电流 (A): 32

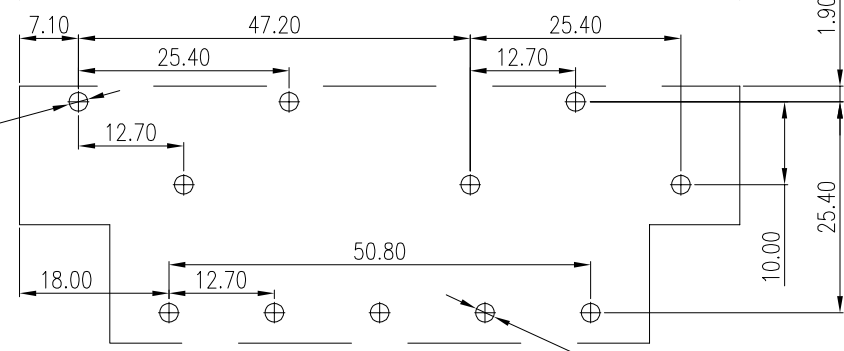
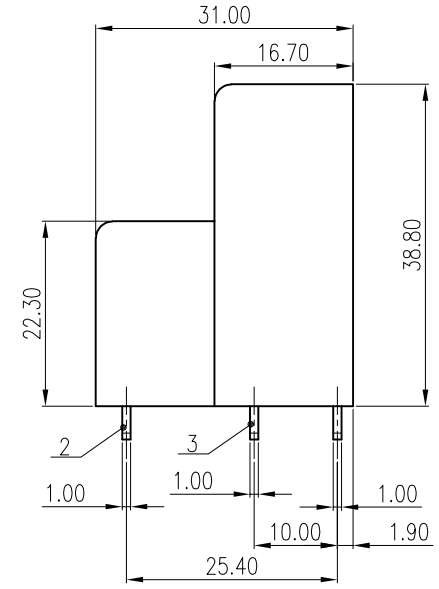
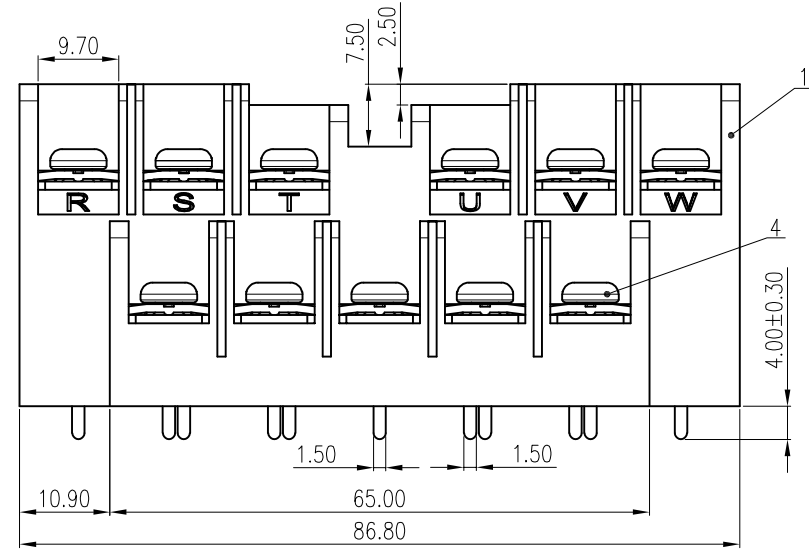
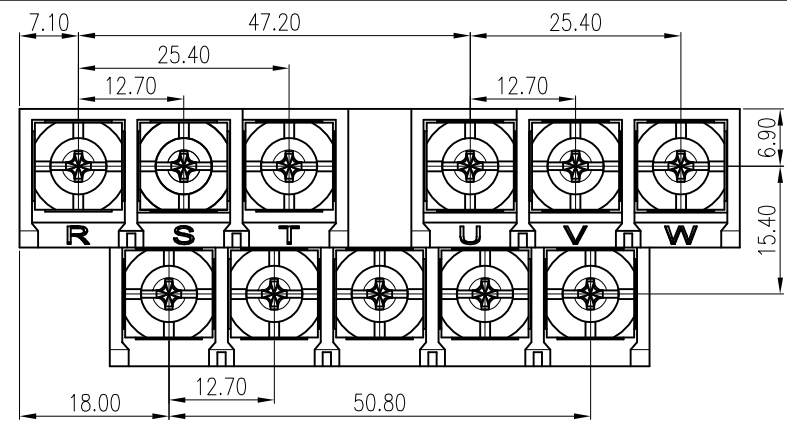
| Overvoltage Category/过电压类别<br>/Pollution Degree/污染等级 | II/2 | III/2 | III/3 |
|--|------|-------|-------|
| Voltage/电压 (V)                                       | 1000 | 1000  | 630   |
| Rated Impulse Voltage/冲击耐电压 (kV)                     | 8    | 8     | 8     |

2. Connection data/连接数据

Wire range/线径范围 (AWG/mm<sup>2</sup>): 20~10/0.5~4  
Stripping length/剥线长度 (mm): 10~11  
Wire tightening torque/导线扭矩 (N.m): 1.2

3. Environmental safety/环境安全

Operating temperature/工作温度范围 (°C): -40~+120  
RoHS compliant/符合RoHS环保要求



Part No./料号说明:

CF106-01-11P-A

Series No./型号 ↑ Poles/P数 ↑ Color/颜色 ↑

| ITEM | NAME OF PART     | MATERIAL     | NOTES          |
|------|------------------|--------------|----------------|
| 4    | SCREW 螺丝         | Steel        | M4/Zn Plated   |
| 3    | SOLDER PIN 2 端子2 | Copper Alloy | Sn Plated      |
| 2    | SOLDER PIN 1 端子1 | Copper Alloy | Sn Plated      |
| 1    | HOUSING 主体       | PBT          | Black/UL94 V-0 |

| Nominal dimension Tolerances (mm) |         |         |         |         |          |          |          |
|-----------------------------------|---------|---------|---------|---------|----------|----------|----------|
| 0                                 | over 18 | over 30 | over 50 | over 80 | over 120 | over 180 | over 250 |
| to 18                             | to 30   | to 50   | to 80   | to 120  | to 180   | to 250   | to 320   |
|                                   | ±0.25   | ±0.3    | ±0.35   | ±0.5    | ±0.7     | ±0.9     | ±1.0     |

PCB LAYOUT

| APP.                           | DATE:            | PART NO:       |               |
|--------------------------------|------------------|----------------|---------------|
| CHK.                           | DATE:            | CF106-01-11P-A |               |
| DRW. C.W                       | DATE: 2023.08.05 |                |               |
| DARWING TYPE: Customer Drawing |                  | UNITS: mm      |               |
| PROJECTION                     |                  | SCALE: 1.5:1   | SHEET/OF: 1/1 |

**AINEWELL** 昆山艾尼维尔电子有限公司  
KUN SHAN AINEWELL ELECTRONICS CO.,LTD