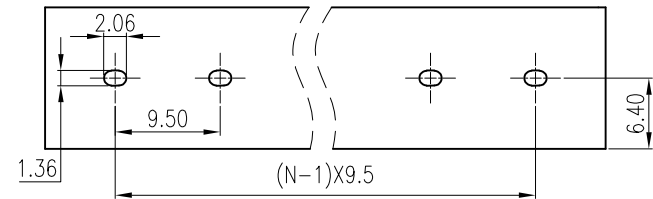
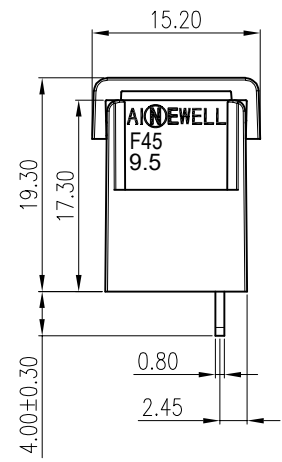
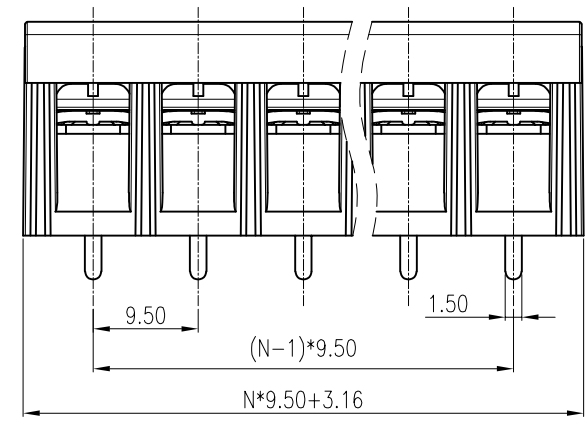
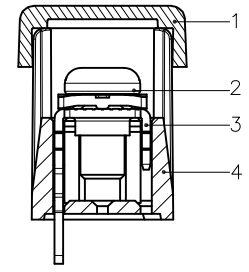
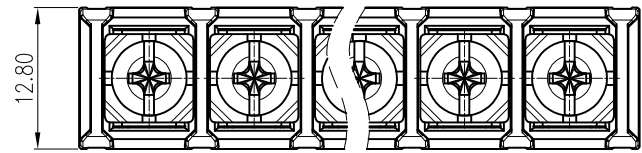


| REV | DESCRIPTION | DRW. | DATE |
|-----|-------------|------|------------|
| 00 | 初版发行 | C.W | 2022.08.12 |

(Without Cover)



PCB LAYOUT

Part No./料号说明:
F-45S-9.5-XXP-C

Poles/P数
02: 2Poles
03: 3Poles
...
22: 22Poles

| Nominal dimension Tolerances (mm) | | | | | | | |
|-----------------------------------|---------|---------|---------|---------|----------|----------|----------|
| 0 | over 18 | over 30 | over 50 | over 80 | over 120 | over 180 | over 250 |
| to 18 | to 30 | to 50 | to 80 | to 120 | to 180 | to 250 | to 320 |
| ±0.25 | ±0.3 | ±0.35 | ±0.5 | ±0.7 | ±0.9 | ±1.0 | ±1.2 |

Notes/备注:

1. Electrical properties/电气特性
UL Standard/UL 标准

| Use Group/应用组别 | B | C | D |
|----------------------------|---------------|-----|-----|
| Rated Voltage/额定电压 (V) | 300 | 150 | 300 |
| Rated Current/额定电流 (A) | 20 | 20 | 10 |
| Withstanding voltage/工频耐电压 | AC 1600V/1Min | | |

IEC Standard/IEC 标准

Rated Voltage/额定电压 (V): 600
Rated Current/额定电流 (A): 32

| Overvoltage Category/过电压类别 /Pollution Degree/污染等级 | II/2 | III/2 | III/3 |
|--|------|-------|-------|
| Voltage/电压 (V) | 1000 | 600 | 600 |
| Rated Impulse Voltage/冲击耐电压 (KV) | 6 | 6 | 6 |

2. Connection data/连接数据

Wire range/线径范围 (AWG/mm²): 22~12/0.2~4
Stripping length/剥线长度 (mm): 9~10
Wire tightening torque/导线扭矩 (N.m): 1.2

3. Environmental safety/环境安全

Operating temperature/工作温度范围 (°C): -40~+105
RoHS compliant/符合RoHS环保要求

| ITEM | NAME OF PART | MATERIAL | NOTES |
|------|---------------|--------------|----------------|
| 4 | HOUSING 主体 | PA66 | Black/UL94 V-0 |
| 3 | PIN HEADER 焊针 | Copper Alloy | Sn Plated |
| 2 | SCREW 螺丝 | Steel | M4/Ni Plated |
| 1 | COVER 盖板 | PC | UL94 V-2 |

| | | | |
|-----------------|------------------|---|--------------------------|
| APP. | DATE: | PART NO.: F-45S-9.5-XXP-C | |
| CHK. | DATE: | | |
| DRW. C.W | DATE: 2022.08.12 | DARWING TYPE: Customer Drawing | |
| PROJECTION | | UNITS: mm | SCALE: 2:1 SHEET/OF: 1/1 |
| AINEWELL | | 昆山艾尼维尔电子有限公司 KUN SHAN AINEWELL ELECTRONICS CO.,LTD | |