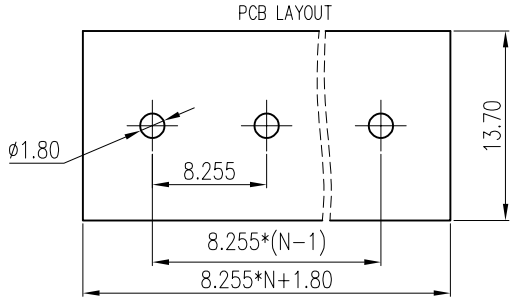
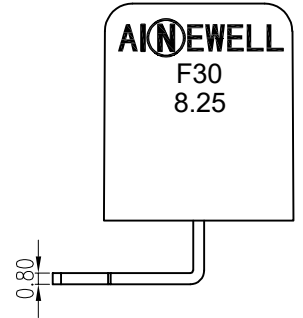
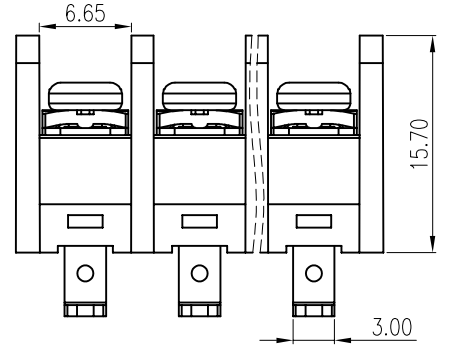
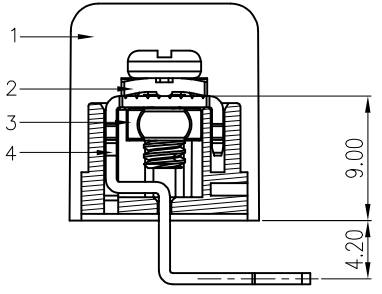
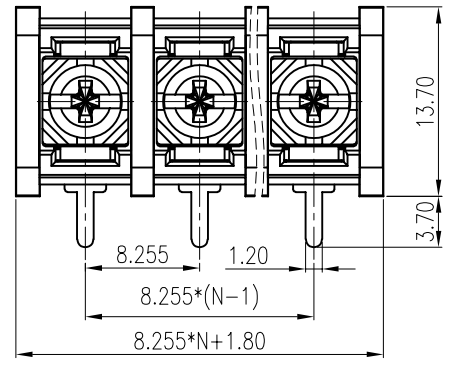


REV	DESCRIPTION	DRW.	DATE
00	初版发行	C.W	2022.06.27



Part No./料号说明:
F-30R-8.25-XXP-T01-L42

Poles/P数
 02: 2Poles
 03: 3Poles
 ...
 16: 16Poles

Nominal dimension Tolerances (mm)							
0	over 18	over 30	over 50	over 80	over 120	over 180	over 250
to 18	to 30	to 50	to 80	to 120	to 180	to 250	to 320
± 0.25	± 0.3	± 0.35	± 0.5	± 0.7	± 0.9	± 1.0	± 1.2

Notes/备注:

1. Electrical properties/电气特性
 UL Standard/UL标准

Use Group/应用组别	B	C	D
Rated Voltage/额定电压 (V)	300	/	300
Rated Current/额定电流 (A)	20	/	10
Withstanding voltage/工频耐电压	AC 1600V/1Min		

IEC Standard/IEC标准

Rated Voltage/额定电压 (V): 320
 Rated Current/额定电流 (A): 24

Overvoltage Category/过电压类别 / Pollution Degree/污染等级	II/2	III/2	III/3
Voltage/电压 (V)	630	320	320
Rated Impulse Voltage/冲击耐电压 (KV)	4	4	4

2. Connection data/连接数据

Wire range/线径范围 (AWG/mm²): 26~12/0.2~2.5
 Stripping length/剥线长度 (mm): 6~7
 Wire tightening torque/导线扭矩 (N.m): 0.6~0.8

3. Environmental safety/环境安全

Operating temperature/工作温度范围 (°C): -40~+105
 RoHS compliant/符合RoHS环保要求

ITEM	NAME OF PART	MATERIAL	NOTES
4	PIN HEADER 焊针	Copper Alloy	Sn Plated
3	NUT 螺母	Steel	M3/Zn Plated
2	SCREW 螺丝	Steel	M3/Zn Plated
1	HOUSING 主体	PA66	Black/UL94 V-0

APP.	DATE:	PART NO.: F-30R-8.25-XXP-T01-L42	
CHK.	DATE:		
DRW. C.W	DATE: 2022.06.27	DARWING TYPE: Customer Drawing	
PROJECTION		UNITS: mm	SCALE: 2.5:1 SHEET/OF: 1/1
AINEWELL		昆山艾尼维尔电子有限公司 KUN SHAN AINEWELL ELECTRONICS CO.,LTD	