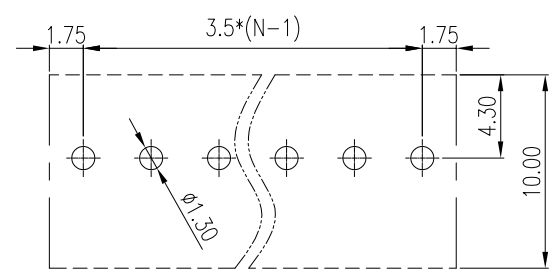
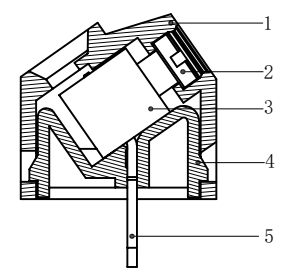
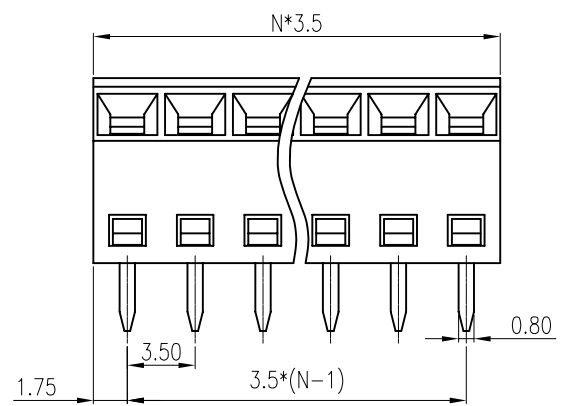
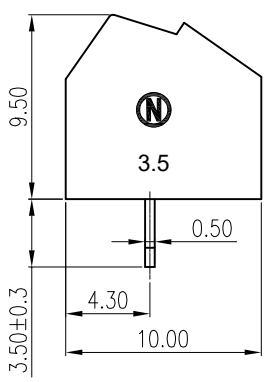
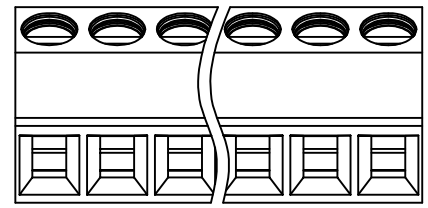


REV	DESCRIPTION	DRW.	DATE
00.1	初版发行	C.W	2022.09.07



PCB LAYOUT

Part No./料号说明:
F102-3.5-XXP-1CX

- Poles/P数: 02:2Poles, 03:3Poles, ..., 24:24Poles
- Color/颜色: 1:Brown/棕色, 2:Red/红色, 3:Orange/橙色, 4:Yellow/黄色, 5:Green/绿色, 6:Blue/蓝色, 7:Purple/紫色, 8:Grey/灰色, 9:White/白色, A:Black/黑色

Nominal dimension Tolerances (mm)							
	over 18	over 30	over 50	over 80	over 120	over 180	over 250
0 to 18	to 30	to 50	to 80	to 120	to 180	to 250	to 320
	±0.25	±0.3	±0.35	±0.5	±0.7	±1.0	±1.2

Notes/备注:

1. Electrical properties/电气特性
UL Standard/UL标准

Use Group/应用组别	B	C	D
Rated Voltage/额定电压 (V)	300	50	/
Rated Current/额定电流 (A)	10	10	/
Withstanding voltage/工频耐电压	AC 1600V/1Min		

IEC Standard/IEC标准

Rated Voltage/额定电压 (V): 160
Rated Current/额定电流 (A): 10

Overvoltage Category/过电压类别 / Pollution Degree/污染等级	II/2	III/2	III/3
Voltage/电压 (V)	320	160	160
Rated Impulse Voltage/冲击耐电压 (kV)	2.5	2.5	2.5

2. Connection data/连接数据

Wire range/线径范围 (AWG/mm²): 28~16/0.14~1.5
Stripping length/剥线长度 (mm): 5~6
Wire tightening torque/导线扭矩 (N.m): 0.2

3. Environmental safety/环境安全

Operating temperature/工作温度范围 (°C): -40~+105
RoHS compliant/符合RoHS环保要求

ITEM	NAME OF PART	MATERIAL	NOTES
5	PIN HEADER 焊针	Copper Alloy	Sn Plated
4	COVER 盖板	PA66	UL94 V-0
3	CAGE 方块	Copper Alloy	M2/Ni Plated
2	SCREW 螺丝	Steel	M2/Zn Plated
1	HOUSING 主体	PA66	UL94 V-0

APP.	DATE:	PART NO.: F102-3.5-XXP-1CX	
CHK.	DATE:		
DRW. C.W	DATE: 2022.09.07	DARWING TYPE: Customer Drawing	
PROJECTION		UNITS: mm	SCALE: 3.5:1 SHEET/OF: 1/1
		昆山艾尼维尔电子有限公司 KUN SHAN AINEWELL ELECTRONICS CO.,LTD	