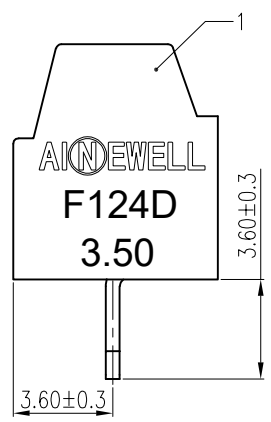
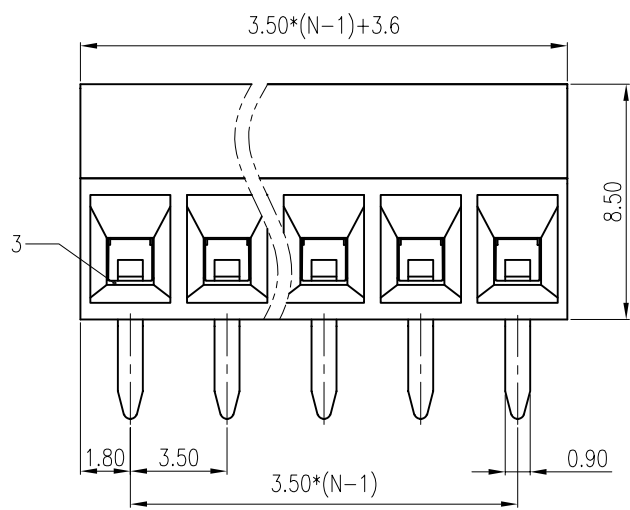
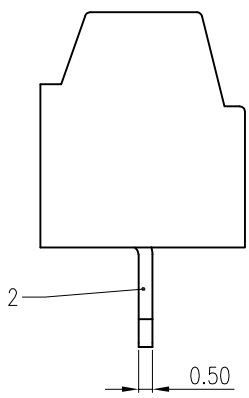
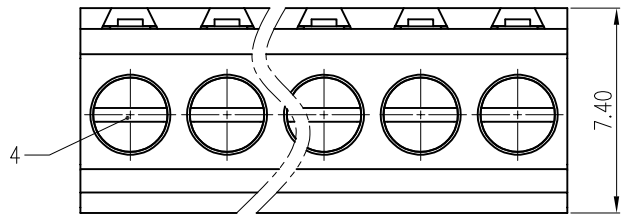


REV	DESCRIPTION	DRW.	DATE
00	初版发行	T.P.W	2024.04.19



Notes/备注:

1. Electrical properties/电气特性  
UL Standard/UL 标准

Use Group/应用组别	B	C	D
Rated Voltage/额定电压 (V)	300	/	/
Rated Current/额定电流 (A)	10	/	/
Withstanding voltage/工频耐电压	AC 1600V/1Min		

IEC Standard/IEC 标准

Rated Voltage/额定电压 (V): 160  
Rated Current/额定电流 (A): 12

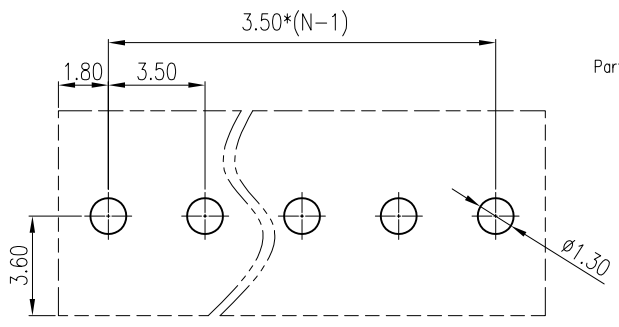
Overvoltage Category/过电压类别 /Pollution Degree/污染等级	II/2	III/2	III/3
Voltage/电压 (V)	320	160	160
Rated Impulse Voltage/冲击耐电压(KV)	2.5	2.5	2.5

2. Connection data/连接数据

Wire range/线径范围(AWG/mm<sup>2</sup>): 30~16/0.2~1.0  
Stripping length/剥线长度(mm): 5~6  
Wire tightening torque/导线扭矩(N.m): 0.2

3. Environmental safety/环境安全

Operating temperature/工作温度范围(°C): -40~+105  
RoHS compliant/符合RoHS环保要求



Part No./料号说明:  
F124D-3.5-XXP-1-X

Poles/ Pole数  
02: 2Poles  
03: 3Poles  
...  
24: 24Poles

Color/颜色  
1: Brown/棕色  
2: Red/红色  
3: Orange/橙色  
4: Yellow/黄色  
5: Green/绿色  
6: Blue/蓝色  
7: Purple/紫色  
8: Grey/灰色  
9: White/白色  
A: Black/黑色

4	SCREW 螺丝	Steel	M2/Zn Plated
3	Cage 方块	Copper alloy	Ni Plated
2	PIN HEADER 焊针	Copper Alloy	Sn Plated
1	HOUSING 主体	PA66	Black/UL94 V-0
ITEM	NAME OF PART	MATERIAL	NOTES

Nominal dimension		Tolerances (mm)						
0	over	over	over	over	over	over	over	
to	18	30	50	80	120	180	250	
18	to	to	to	to	to	to	to	
	30	50	80	120	180	250	320	
	±0.25	±0.3	±0.35	±0.5	±0.7	±0.9	±1.0	
							±1.2	

APP.	DATE:	PART NO.:	
CHK.	DATE:	F124D-3.5-XXP-1-X	
DRW. T.P.W	DATE: 2024.04.19	DARWING TYPE: Customer Drawing	
PROJECTION		UNITS: mm	SCALE: 5:1 SHEET/OF: 1/1
		昆山艾尼维尔电子有限公司 KUN SHAN AINEWELL ELECTRONICS CO.,LTD	