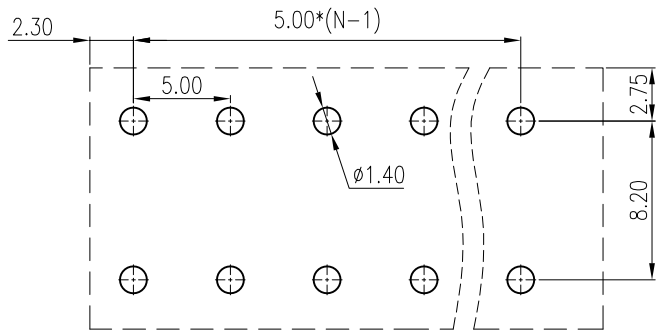
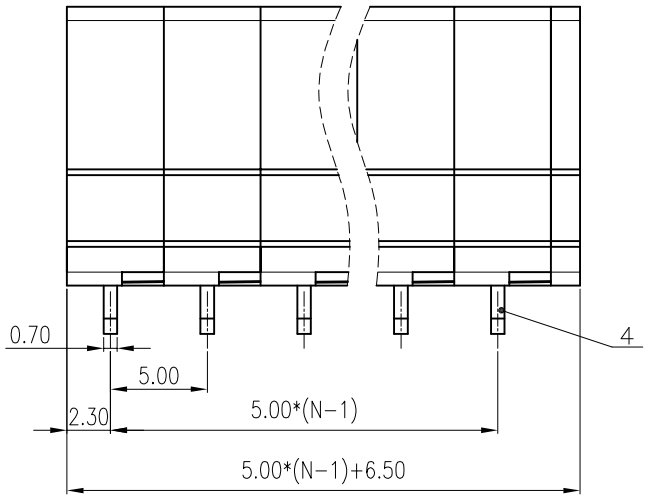
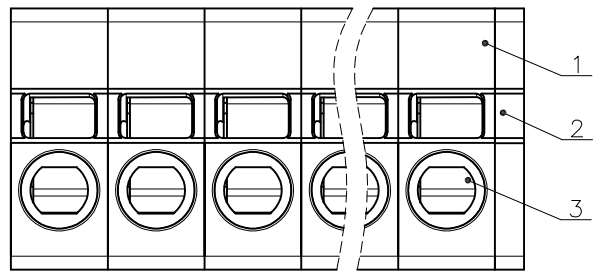
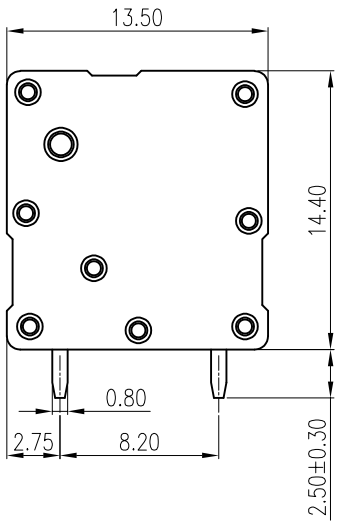


REV	DESCRIPTION	DRW.	DATE
00	初版发行	M.C.N	2023.05.25

A
B
C
D
E
F



Nominal dimension Tolerances (mm)							
0	over 18	over 30	over 50	over 80	over 120	over 180	over 250
to 18	to 30	to 50	to 80	to 120	to 180	to 250	to 320
±0.25	±0.3	±0.35	±0.5	±0.7	±0.9	±1.0	±1.2

Notes/备注:

1. Electrical properties/电气特性
UL Standard/UL 标准

Use Group/应用组别	B	C	D
Rated Voltage/额定电压 (V)	300	/	300
Rated Current/额定电流 (A)	20	/	10
Withstanding voltage/工频耐电压	AC 1600V/1Min		

IEC Standard/IEC 标准

Rated Voltage/额定电压 (V): 400
Rated Current/额定电流 (A): 24

Overvoltage Category/过电压类别 /Pollution Degree/污染等级	II/2	III/2	III/3
Voltage/电压 (V)	630	400	250
Rated Impulse Voltage/冲击耐电压(KV)	4	4	4

2. Connection data/连接数据

Wire range/线径范围 (AWG/mm²): 24~12/0.2~4(sol),2.5(str)
Stripping length/剥线长度 (mm): 10

3. Environmental safety/环境安全

Operating temperature/工作温度范围 (°C): -40~+105
RoHS compliant/符合RoHS环保要求

Part No./料号说明:

F011V-5.0-XXP-X

Poles/P数	Color/颜色	
02: 2Poles	1: Brown/棕色	6: Blue/蓝色
03: 3Poles	2: Red/红色	7: Purple/紫色
...	3: Orange/橙色	8: Grey/灰色
24: 24Poles	4: Yellow/黄色	9: White/白色
	5: Green/绿色	A: Black/黑色

ITEM	NAME OF PART	MATERIAL	NOTES
4	SOLDER PIN 端子	Copper Alloy	Sn Plated
3	SPRING 弹片	Stainless steel	/
2	COVER 盖板	PA66	UL94 V-0
1	HOUSING 主体	PA66	UL94 V-0

APP.	DATE:	PART NO.: F011V-5.0-XXP-X
CHK.	DATE:	
DRW. M.C.N	DATE: 2023.05.25	DARWING TYPE: Customer Drawing
PROJECTION		UNITS: mm SCALE: 3.5:1 SHEET/OF: 1/1

AINEWELL 昆山艾尼维尔电子有限公司
KUN SHAN AINEWELL ELECTRONICS CO.,LTD

A
B
C
D
E
F