

REV	DESCRIPTION	DRW.	DATE
00	初版发行	M.C.N	2022.06.28

Notes/备注:

1. Electrical properties/电气特性
UL Standard/UL标准

Use Group/应用组别	B	C	D
Rated Voltage/额定电压 (V)	300	/	300
Rated Current/额定电流 (A)	7	/	7
Withstanding voltage/工频耐电压	AC 1600V/1Min		

IEC Standard/IEC标准

Rated Voltage/额定电压 (V): 320
Rated Current/额定电流 (A): 8

Overvoltage Category/过电压类别 /Pollution Degree/污染等级	II/2	III/2	III/3
Voltage/电压 (V)	630	320	320
Rated Impulse Voltage/冲击耐电压(KV)	4	4	4

2. Connection data/连接数据

Wire range/线径范围(AWG/mm²): 22~16/0.2~1.5
Stripping length/剥线长度(mm): 8~9

3. Environmental safety/环境安全

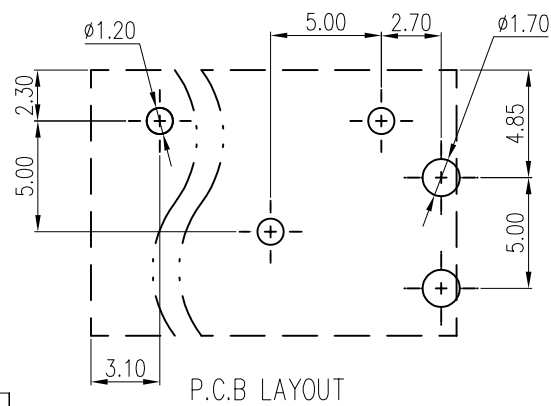
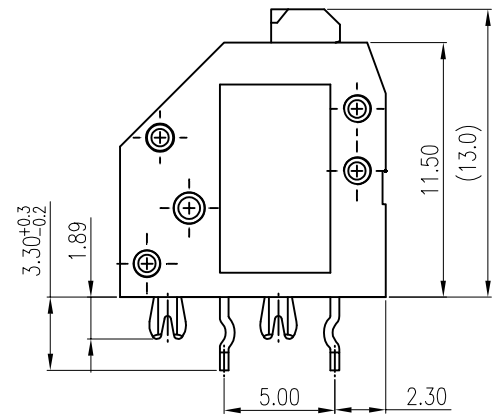
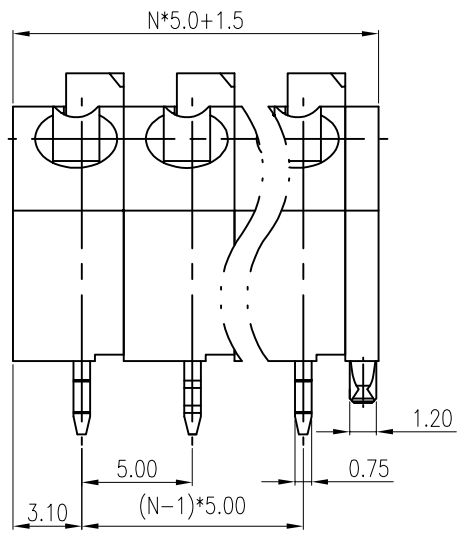
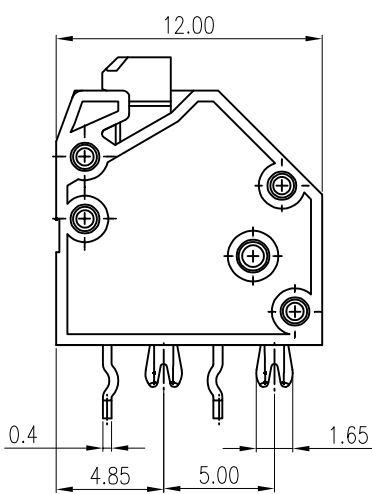
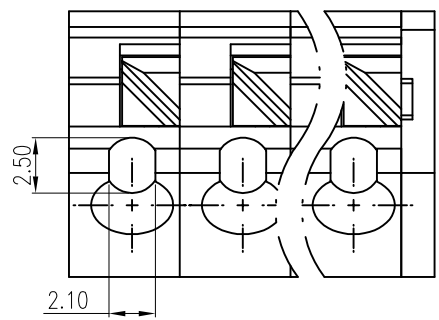
Operating temperature/工作温度范围(°C): -40~+105
RoHS compliant/符合RoHS环保要求

Part No./料号说明:

F250-5.0-XXP-X-T01

Poles/P数	Color/颜色
02: 2Poles	1: Brown/棕色 6: Blue/蓝色
03: 3Poles	2: Red/红色 7: Purple/紫色
...	3: Orange/橙色 8: Grey/灰色
24: 24Poles	4: Yellow/黄色 9: White/白色
	5: Green/绿色 A: Black/黑色

APP.	DATE:	PART NO:
CHK.	DATE:	F250-5.0-XXP-X-T01
DRW. M.C.N	DATE: 2022.06.28	DARWING TYPE: Customer Drawing
PROJECTION		UNITS: mm SCALE: 1.5:1 SHEET/OF: 1/1
AINEWELL 昆山艾尼维尔电子有限公司 KUN SHAN AINEWELL ELECTRONICS CO.,LTD		



Nominal dimension		Tolerances (mm)					
0	over	over	over	over	over	over	over
to	18	30	50	80	120	180	250
18	to	to	to	to	to	to	to
	30	50	80	120	180	250	320
	±0.25	±0.3	±0.35	±0.5	±0.7	±0.9	±1.0
							±1.2