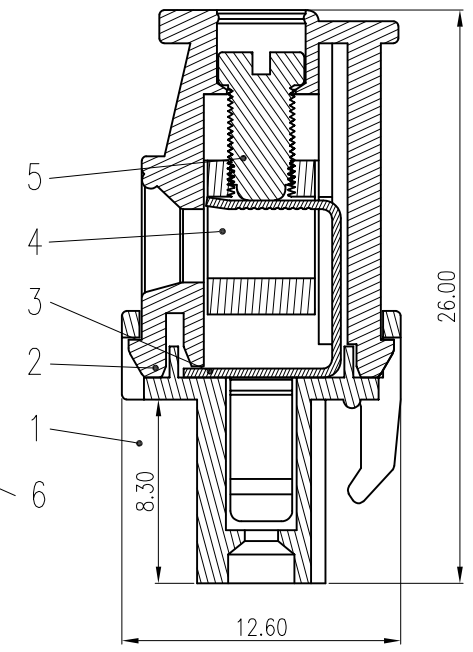
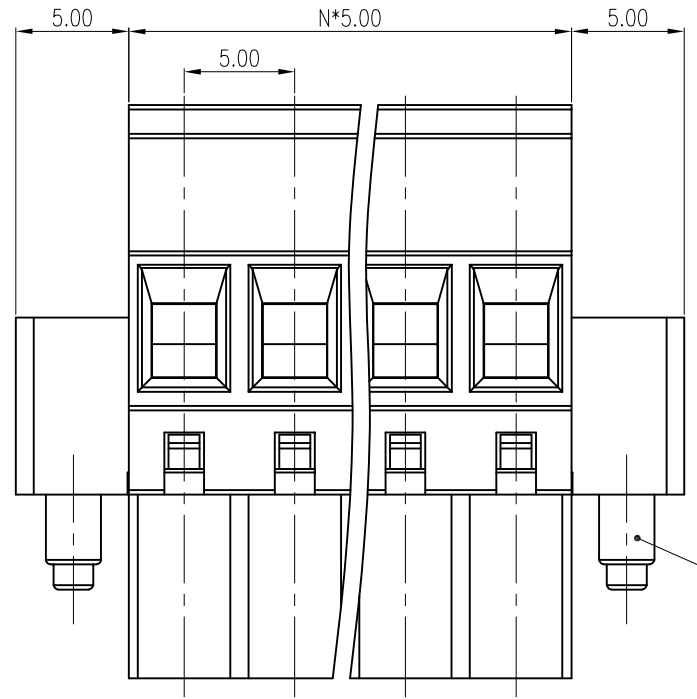
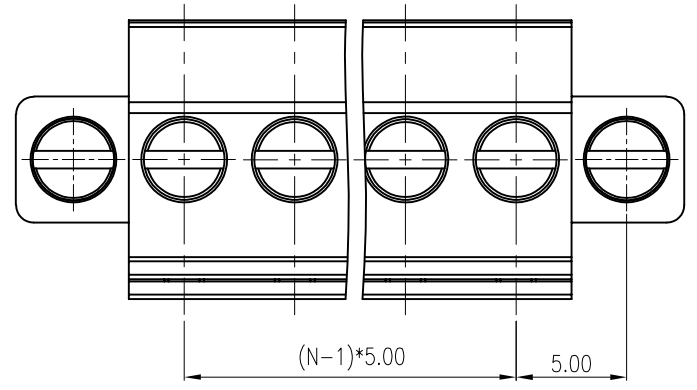


REV	DESCRIPTION	DRW.	DATE
00	初版发行	M.C.N	2022.09.30



Notes/备注:

1. Electrical properties/电气特性
UL Standard/UL标准

Use Group/应用组别	B	C	D
Rated Voltage/额定电压 (V)	300	/	300
Rated Current/额定电流 (A)	15	/	10
Withstanding voltage/工频耐电压	AC 1600V/1Min		

IEC Standard/IEC标准

Rated Voltage/额定电压 (V): 320
Rated Current/额定电流 (A): 16

Overvoltage Category/过电压类别 /Pollution Degree/污染等级	II/2	III/2	III/3
Voltage/电压 (V)	630	320	250
Rated Impulse Voltage/冲击耐电压 (KV)	4	4	4

2. Connection data/连接数据

Wire range/线径范围 (AWG/mm²): 28~12/0.2~2.5
Stripping length/剥线长度 (mm): 6~7
Wire tightening torque/锁线扭矩 (N.m): 0.5~0.6

3. Environmental safety/环境安全

Operating temperature/工作温度范围 (°C): -40~+105
RoHS compliant/符合RoHS环保要求

6	SCREW 螺丝	Steel	M2.5/Zn Plated
5	SCREW 螺丝	Steel	M3/Zn Plated
4	CAGE 方块	Copper Alloy	Ni Plated
3	CLAMP 夹片	Copper Alloy	Sn Plated
2	HOUSING 主体	PA66	UL94 V-0
1	COVER 盖板	PA66	UL94 V-0
ITEM	NAME OF PART	MATERIAL	NOTES

Part No./料号说明:
F7EBM-5.0-XXP-1-X

Nominal dimension		Tolerances (mm)					
0	over 18	over 30	over 50	over 80	over 120	over 180	over 250
to 18	to 30	to 50	to 80	to 120	to 180	to 250	to 320
	±0.25	±0.3	±0.35	±0.5	±0.7	±0.9	±1.0 ±1.2

Poles/P数
02: 2Poles
03: 3Poles
...
24: 24Poles

Color/颜色
1: Brown/棕色
2: Red/红色
3: Orange/橙色
4: Yellow/黄色
5: Green/绿色
6: Blue/蓝色
7: Purple/紫色
8: Grey/灰色
9: White/白色
A: Black/黑色

APP.	DATE:	PART NO.: F7EBM-5.0-XXP-1-X	
CHK.	DATE:	DARWING TYPE: Customer Drawing	
DRW. M.C.N	DATE: 2022.10.08	UNITS: mm	SCALE: 4:1 SHEET/OF: 1/1
PROJECTION			
AINEWELL		昆山艾尼维尔电子有限公司 KUN SHAN AINEWELL ELECTRONICS CO.,LTD	