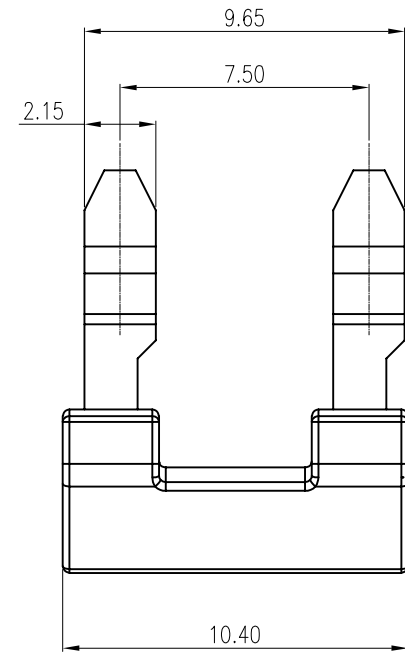
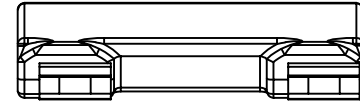
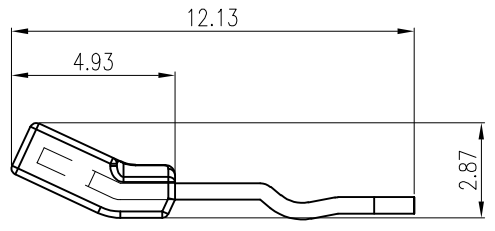


REV	DESCRIPTION	DRW.	DATE
00	初版发行	M.C.N	2022.08.26
01	变更电流	M.C.N	2022.12.15

Notes/备注:

- Electrical properties/电气特性
IEC Standard/IEC标准
Rated Voltage/额定电压(V): 630
Rated Current/额定电流(A): 15
- Materials/材料
Plastic/塑胶: PA66 UL94 V-0
Bridge jumper/桥接片: Copprt Alloy, Sn Plated
- Operating temperature/工作温度范围(°C): -40~+105
RoHS compliant/符合RoHS环保要求



Nominal dimension Tolerances (mm)							
	over	over	over	over	over	over	over
0	18	30	50	80	120	180	250
to	to	to	to	to	to	to	to
18	30	50	80	120	180	250	320
	±0.25	±0.3	±0.35	±0.5	±0.7	±0.9	±1.0
							±1.2

APP.	DATE:	PART NO.: NFD-002		
CHK.	DATE:			
DRW. M.C.M	DATE: 2022.08.26	DARWING TYPE: Customer Drawing		
PROJECTION		UNITS: mm	SCALE: 6:1	SHEET/OF: 1/1
		昆山艾尼维尔电子有限公司 KUN SHAN AINEWELL ELECTRONICS CO.,LTD		