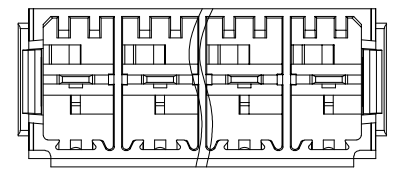


REV	DESCRIPTION	DRW.	DATE
00	初版发行	C.W	2022.12.21



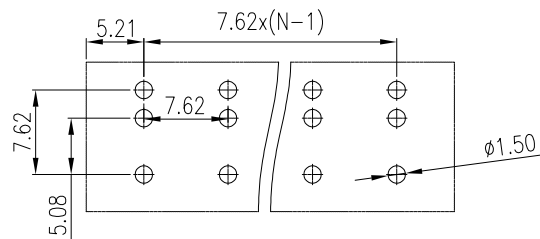
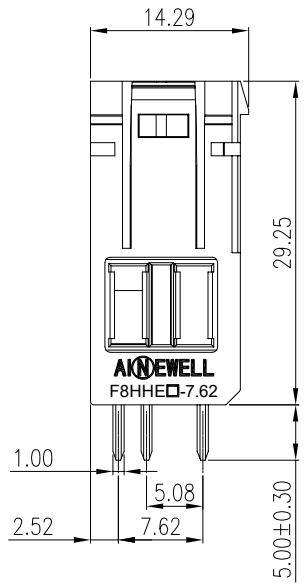
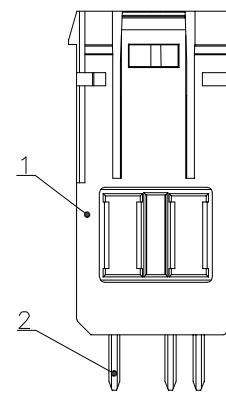
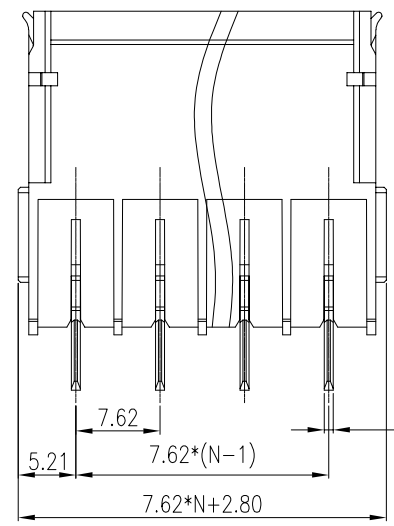
Notes/备注:
 1. Electrical properties/电气特性
 UL Standard/UL标准

Use Group/应用组别	B	C	D	F(III/3)
Rated Voltage/额定电压 (V)	300	150	300	600
Rated Current/额定电流 (A)	41	41	10	41
Withstanding voltage/工频耐电压	AC 1600V/1Min			

IEC Standard/IEC标准
 Rated Voltage/额定电压 (V): 630
 Rated Current/额定电流 (A): 41

Overvoltage Category/过电压类别 /Pollution Degree/污染等级	II/2	III/2	III/3
Voltage/电压 (V)	1000	630	630
Rated Impulse Voltage/冲击耐电压 (KV)	6	6	6

2. Environmental safety/环境安全
 Operating temperature/工作温度范围 (°C): -40~+105
 RoHS compliant/符合RoHS环保要求



PCB LAYOUT

Part No./料号说明:
 F8HHEV-7.62-XXP-X

Poles/P数	Color/颜色
02: 2Poles	1: Brown/棕色 6: Blue/蓝色
03: 3Poles	2: Red/红色 7: Purple/紫色
...	3: Orange/橙色 8: Grey/灰色
12: 12Poles	4: Yellow/黄色 9: White/白色
	5: Green/绿色 A: Black/黑色

2	SOLDER PIN 端子	Copper Alloy	Sn Plated
1	HOUSING 主体	PA66-CF	UL94 V-0
ITEM	NAME OF PART	MATERIAL	NOTES

APP.	DATE:	PART NO: F8HHEV-7.62-XXP-X
CHK.	DATE:	
DRW. C.W	DATE: 2022.12.21	DARWING TYPE: Customer Drawing
PROJECTION		UNITS: mm SCALE: 2:1 SHEET/OF: 1/1

AINEWELL 昆山艾尼维尔电子有限公司
 KUN SHAN AINEWELL ELECTRONICS CO.,LTD

Nominal dimension Tolerances (mm)							
0	over 18	over 30	over 50	over 80	over 120	over 180	over 250
to 18	to 30	to 50	to 80	to 120	to 180	to 250	to 320
	±0.25	±0.3	±0.35	±0.5	±0.7	±0.9	±1.0