

REV	DESCRIPTION	DRW.	DATE
00	初版发行	C.W	2023.03.22

Notes/备注:

1. Electrical properties/电气特性
UL Standard/UL 标准

Use Group/应用组别	B	C	D	F
Rated Voltage/额定电压 (V)	300	300	600	600
Rated Current/额定电流 (A)	55	55	5	55
Withstanding voltage/工频耐电压	AC 2200V/1Min			

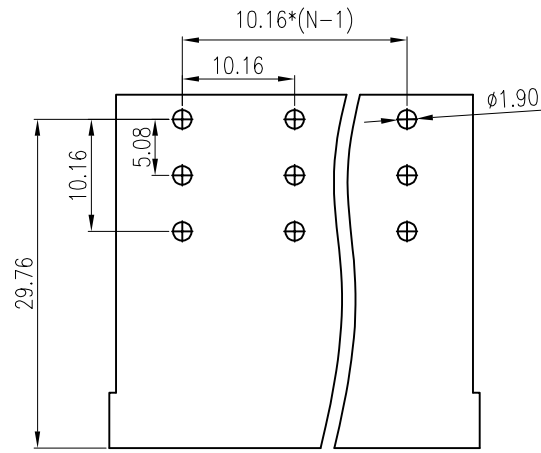
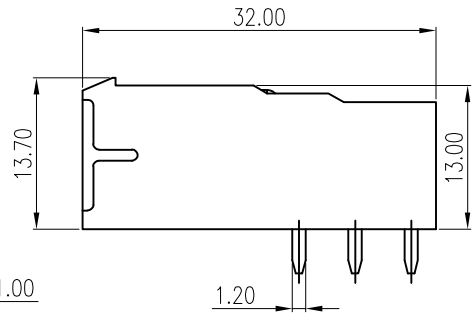
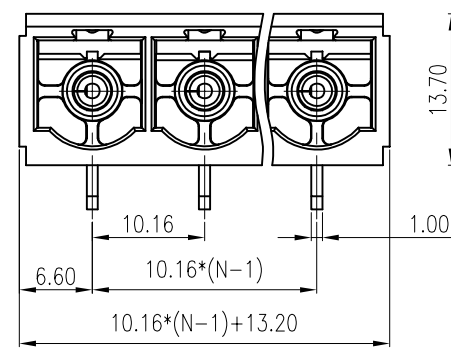
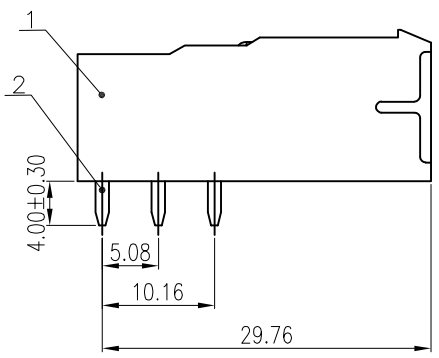
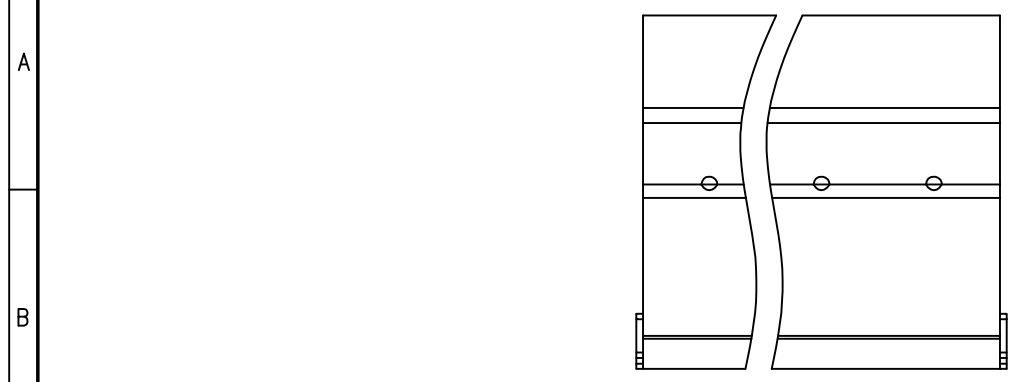
IEC Standard/IEC 标准

Rated Voltage/额定电压 (V): 1000
Rated Current/额定电流 (A): 76

Overvoltage Category/过电压类别 /Pollution Degree/污染等级	II/2	III/2	III/3
Voltage/电压 (V)	1000	1000	630
Rated Impulse Voltage/冲击耐电压(KV)	8	8	8

2. Environmental safety/环境安全

Operating temperature/工作温度范围(°C): -40~+105
RoHS compliant/符合RoHS环保要求



Part No./料号说明:

F8HHER-10.16-XXP-X

Poles/P数	Color/颜色
02: 2Poles	1: Brown/棕色
03: 3Poles	2: Red/红色
...	3: Orange/橙色
12: 12Poles	4: Yellow/黄色
	5: Green/绿色
	6: Blue/蓝色
	7: Purple/紫色
	8: Grey/灰色
	9: White/白色
	A: Black/黑色

2	SOLDER PIN 端子	Copper Alloy	Ag Plated
1	HOUSING 主体	PA66-GF	UL94 V-0
ITEM	NAME OF PART	MATERIAL	NOTES

Nominal dimension Tolerances (mm)							
0	over 18	over 30	over 50	over 80	over 120	over 180	over 250
to 18	to 30	to 50	to 80	to 120	to 180	to 250	to 320
	±0.25	±0.3	±0.35	±0.5	±0.7	±0.9	±1.0

APP.	DATE:	PART NO: F8HHER-10.16-XXP-X
CHK.	DATE:	
DRW. C.W	DATE: 2023.03.22	DARWING TYPE: Customer Drawing
PROJECTION		UNITS: mm
		SCALE: 2:1
		SHEET/OF: 1/1

AINEWELL 昆山艾尼维尔电子有限公司
KUN SHAN AINEWELL ELECTRONICS CO.,LTD