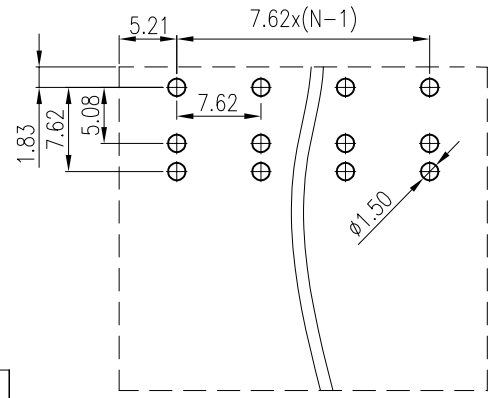
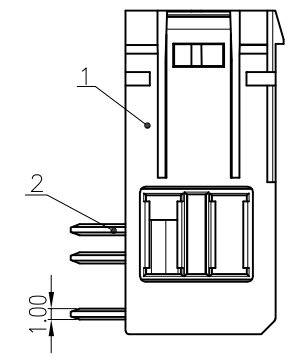
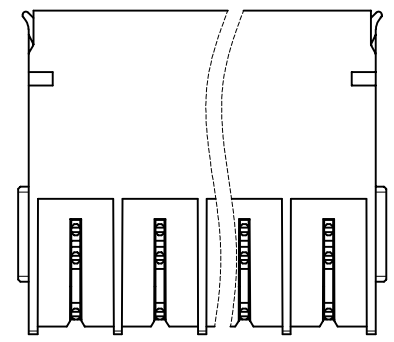
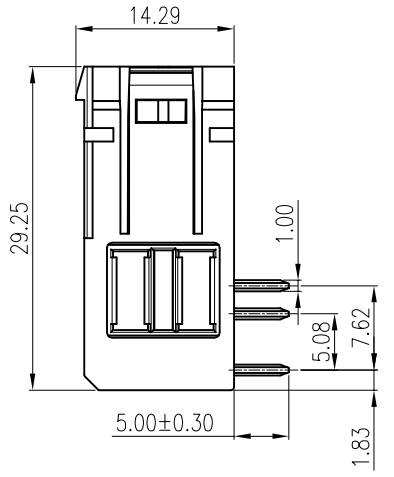
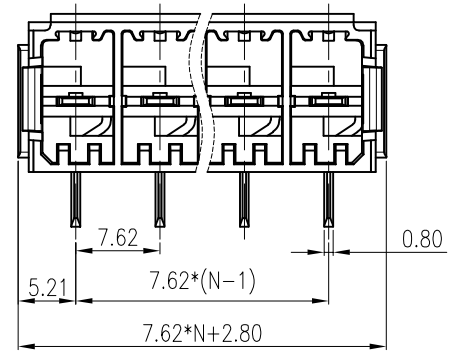


| REV | DESCRIPTION | DRW. | DATE       |
|-----|-------------|------|------------|
| 00  | 初版发行        | C.W  | 2022.12.21 |



Notes/备注:

1. Electrical properties/电气特性  
UL Standard/UL标准

| Use Group/应用组别             | B             | C   | D   |
|----------------------------|---------------|-----|-----|
| Rated Voltage/额定电压 (V)     | 300           | 150 | 300 |
| Rated Current/额定电流 (A)     | 41            | 41  | 10  |
| Withstanding voltage/工频耐电压 | AC 1600V/1Min |     |     |

IEC Standard/IEC标准

Rated Voltage/额定电压 (V): 630  
Rated Current/额定电流 (A): 41

| Overvoltage Category/过电压类别<br>/Pollution Degree/污染等级 | II/2 | III/2 | III/3 |
|--|------|-------|-------|
| Voltage/电压 (V)                                       | 1000 | 630   | 630   |
| Rated Impulse Voltage/冲击耐电压 (KV)                     | 6    | 6     | 6     |

2. Environmental safety/环境安全

Operating temperature/工作温度范围 (°C): -40~+105  
RoHS compliant/符合RoHS环保要求

Part No./料号说明:

F8HHER-7.62-XXP-X

| Poles/P数    | Color/颜色                 |
|-------------|--------------------------|
| 02: 2Poles  | 1: Brown/棕色 6: Blue/蓝色   |
| 03: 3Poles  | 2: Red/红色 7: Purple/紫色   |
| ...         | 3: Orange/橙色 8: Grey/灰色  |
| 12: 12Poles | 4: Yellow/黄色 9: White/白色 |
|             | 5: Green/绿色 A: Black/黑色  |

| 2    | SOLDER PIN 端子 | Copper Alloy | Sn Plated |
|------|---------------|--------------|-----------|
| 1    | HOUSING 主体    | PA66-CF      | UL94 V-0  |
| ITEM | NAME OF PART  | MATERIAL     | NOTES     |

| Nominal dimension |         | Tolerances (mm) |         |         |          |          |          |
|-------------------|---------|-----------------|---------|---------|----------|----------|----------|
| 0                 | over 18 | over 30         | over 50 | over 80 | over 120 | over 180 | over 250 |
| to 18             | to 30   | to 50           | to 80   | to 120  | to 180   | to 250   | to 320   |
|                   | ±0.25   | ±0.3            | ±0.35   | ±0.5    | ±0.7     | ±0.9     | ±1.0     |
|                   |         |                 |         |         |          |          | ±1.2     |

|                 |                  |   |                          |
|-----------------|------------------|---|--------------------------|
| APP.            | DATE:            | PART NO.:<br><b>F8HHER-7.62-XXP-X</b>                 |                          |
| CHK.            | DATE:            |   |                          |
| DRW. C.W        | DATE: 2022.12.21 | DARWING TYPE: Customer Drawing                        |                          |
| PROJECTION      |                  | UNITS: mm   | SCALE: 2:1 SHEET/OF: 1/1 |
| <b>AINEWELL</b> |                  | 昆山艾尼维尔电子有限公司<br>KUN SHAN AINEWELL ELECTRONICS CO.,LTD |                          |