

REV	DESCRIPTION	DRW.	DATE
00	初版发行	C.W	2023.11.30

Notes/备注:

1. Electrical properties/电气特性
UL Standard/UL 标准

Use Group/应用组别	B	C	D	F
Rated Voltage/额定电压 (V)	600	600	600	630
Rated Current/额定电流 (A)	25	25	5	25
Withstanding voltage/工频耐电压	AC 2200V/1Min			

IEC Standard/IEC 标准

Rated Voltage/额定电压 (V): 800
Rated Current/额定电流 (A): 25

Overvoltage Category/过电压类别 /Pollution Degree/污染等级	II/2	III/2	III/3
Voltage/电压 (V)	1000	800	630
Rated Impulse Voltage/冲击耐电压(KV)	6	6	6

2. Connection data/连接数据

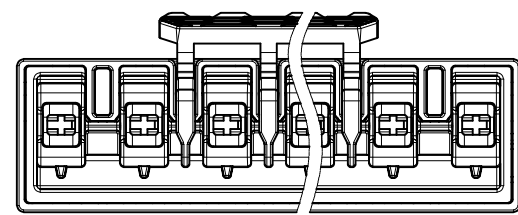
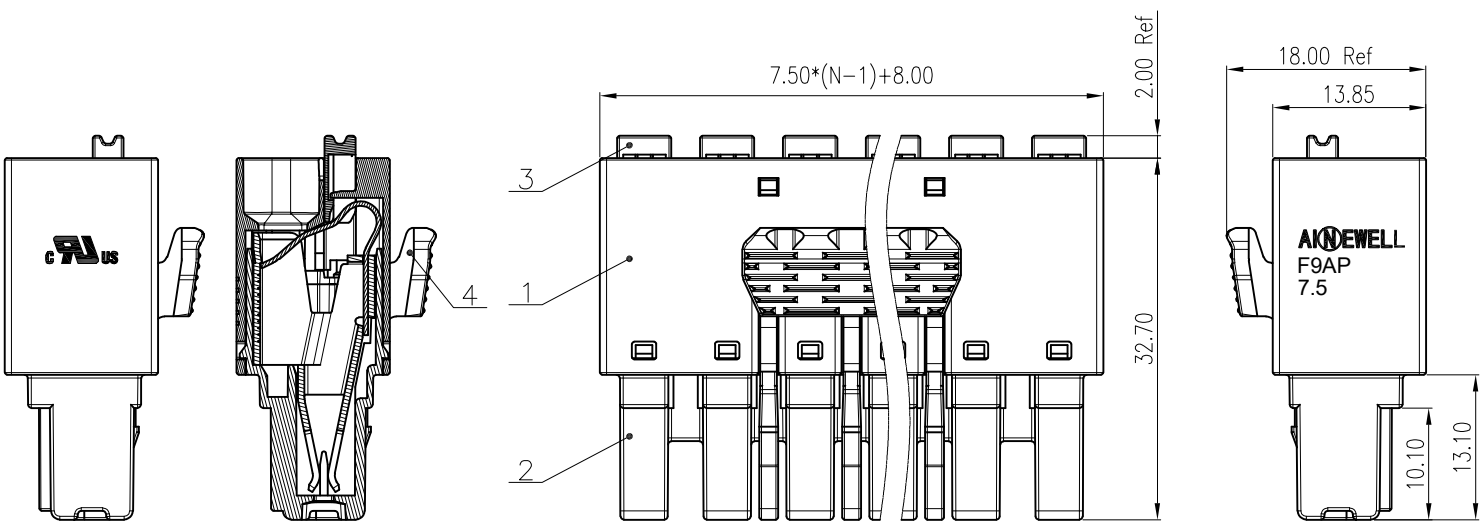
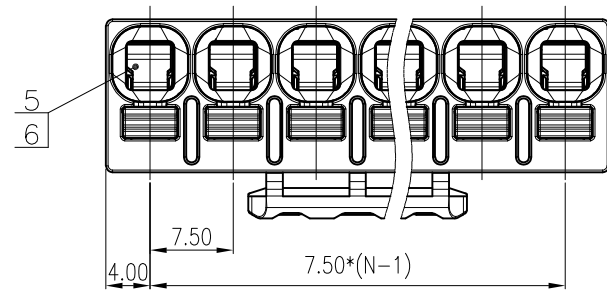
Wire range/线径范围(AWG/mm²): 24~10/1.0~6
Stripping length/剥线长度(mm): 12

3. Environmental safety/环境安全

Operating temperature/工作温度范围(°C): -40~+105
RoHS compliant/符合RoHS环保要求

6	Spring 弹片	Stainless Steel	
5	Clamp 夹片	Copper Alloy	Sn Plated
4	Lever 把手	PA66-GF	Orange/UL94 V-0
3	Button 按钮	PA66-GF	Orange/UL94 V-0
2	Cover 盖板	PA66-GF	Black/UL94 V-0
1	Housing 主体	PA66	Black/UL94 V-0
ITEM	NAME OF PART	MATERIAL	NOTES

APP. M.X.B	DATE: 2023.11.30	PART NO: F9AP-7.5-XXP-A	
CHK. M.C.N	DATE: 2023.11.30	DARWING TYPE: Customer Drawing	
DRW. C.W	DATE: 2023.11.30	UNITS: mm	SCALE: 2:1 SHEET/OF: 1/3
PROJECTION			
AINEWELL		昆山艾尼维尔电子有限公司 KUN SHAN AINEWELL ELECTRONICS CO.,LTD	



Part No./料号说明:
F9AP-7.5-XXP-A

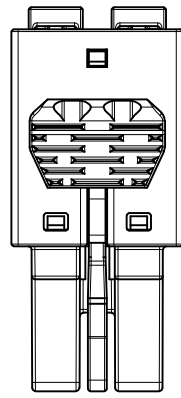
- Poles/P数
02: 2Poles
04: 4Poles
...
12: 12Poles
- Color/颜色
1: Brown/棕色
2: Red/红色
3: Orange/橙色
4: Yellow/黄色
5: Green/绿色
6: Blue/蓝色
7: Purple/紫色
8: Grey/灰色
9: White/白色
A: Black/黑色

Nominal dimension		Tolerances (mm)					
0	over 18	over 30	over 50	over 80	over 120	over 180	over 250
to 18	to 30	to 50	to 80	to 120	to 180	to 250	to 320
	±0.25	±0.3	±0.35	±0.5	±0.7	±0.9	±1.0 ±1.2

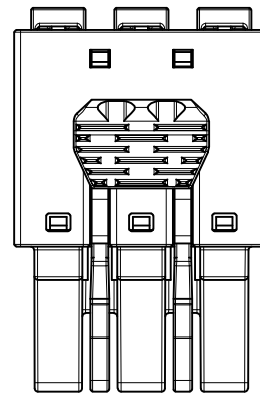
1 2 3 4 5 6 7 8

A

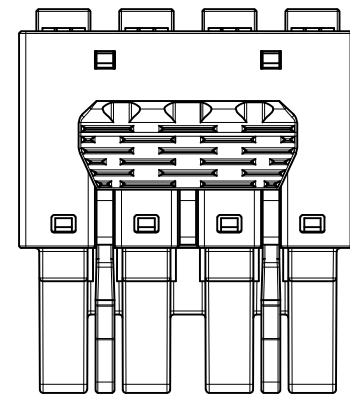
02P



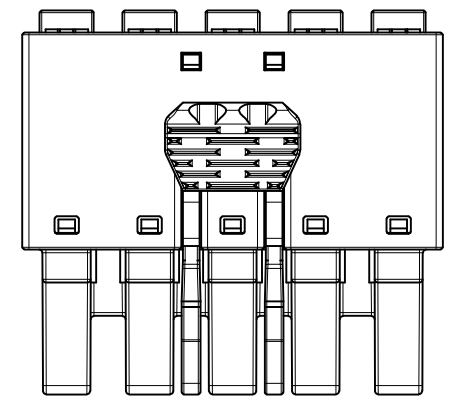
03P



04P



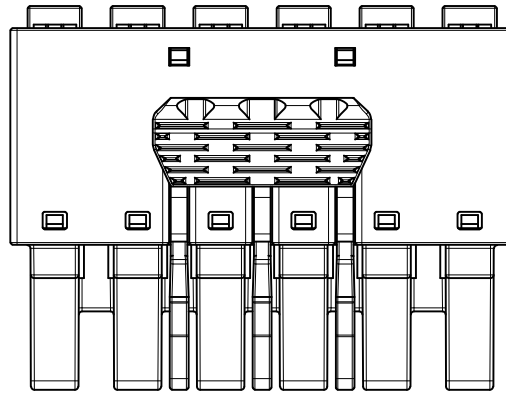
05P



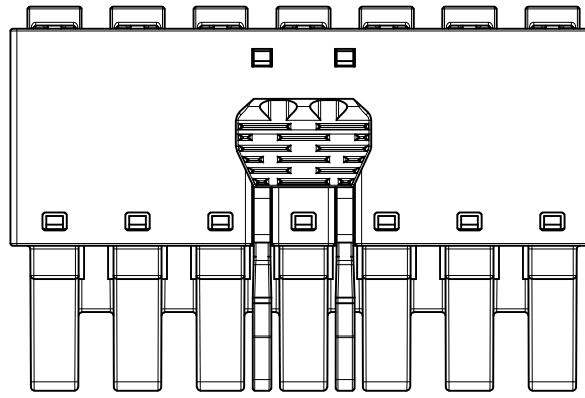
B

C

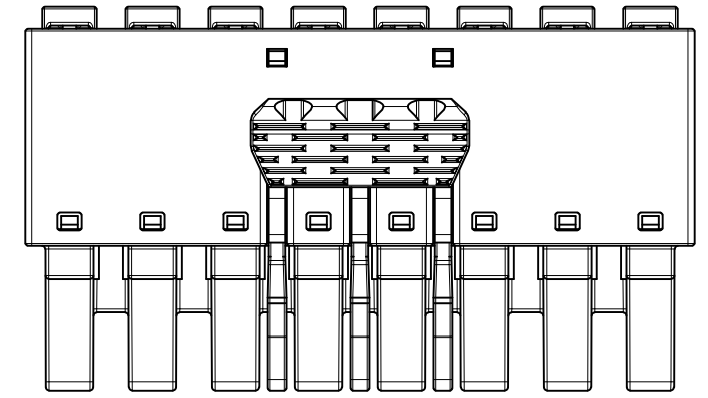
06P



07P



08P



D

E

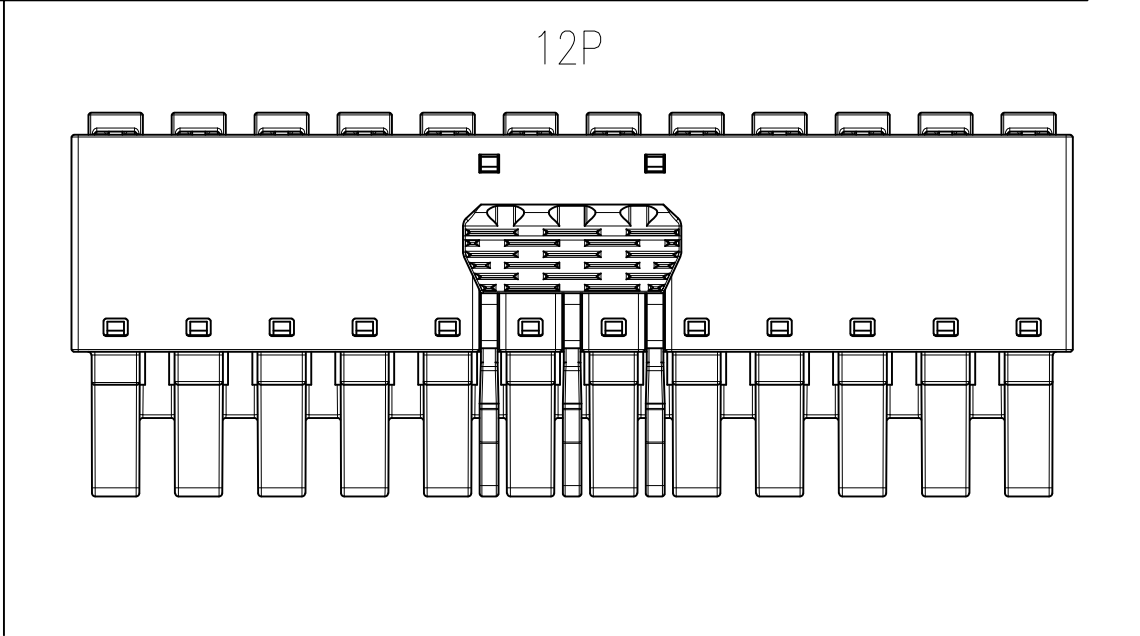
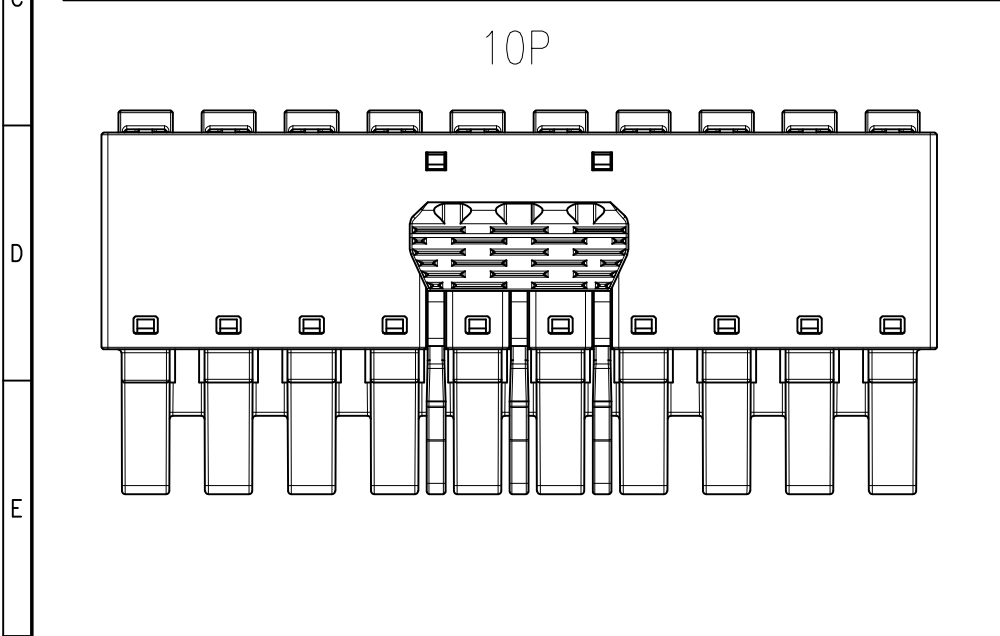
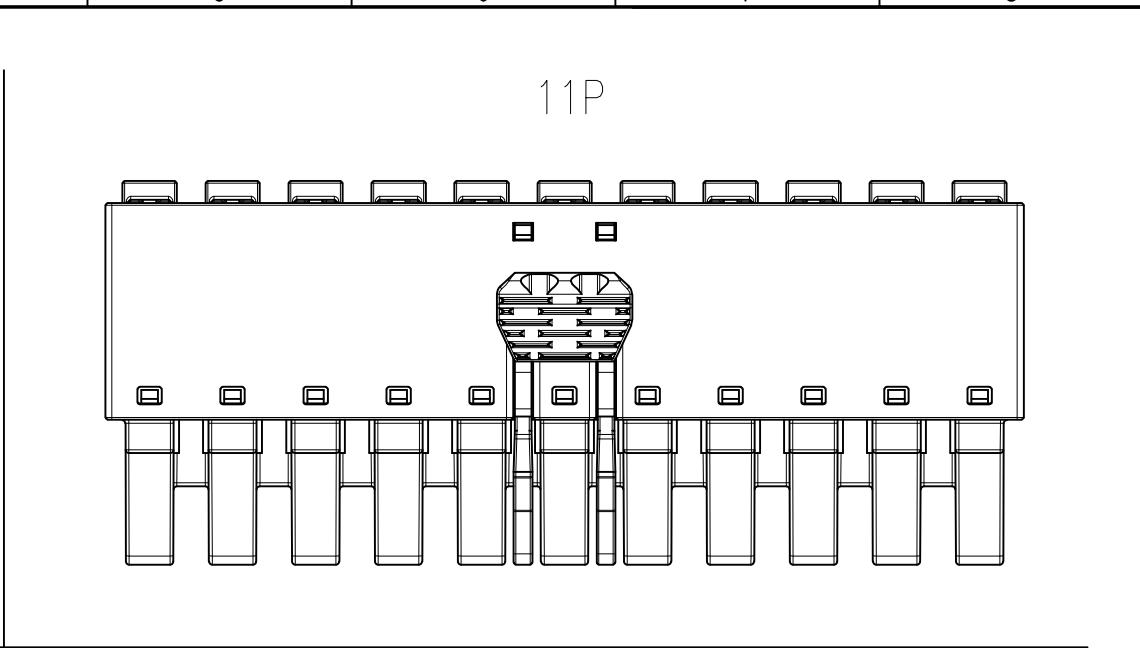
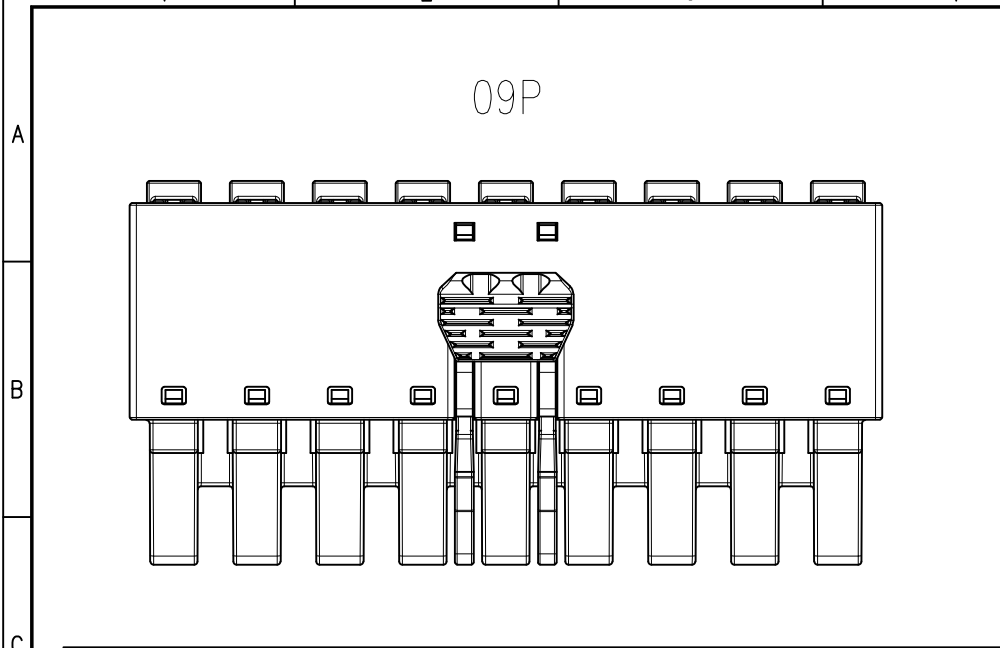
Nominal dimension Tolerances (mm)

	over 0 to 18	over 18 to 30	over 30 to 50	over 50 to 80	over 80 to 120	over 120 to 180	over 180 to 250	over 250 to 320
	±0.25	±0.3	±0.35	±0.5	±0.7	±0.9	±1.0	±1.2

APP. M.X.B	DATE: 2023.11.30	PART NO: F9AP-7.5-XXP-A	
CHK. M.C.N	DATE: 2023.11.30		
DRW. C.W	DATE: 2023.11.30	DARWING TYPE: Customer Drawing	
PROJECTION		UNITS: mm	SCALE: 2:1 SHEET/OF: 2/3
AINEWELL		昆山艾尼维尔电子有限公司 KUN SHAN AINEWELL ELECTRONICS CO.,LTD	

1 2 3 4 5 6 7 8

A3



Nominal dimension		Tolerances (mm)					
		over	over	over	over	over	over
0	18	30	50	80	120	180	250
to	to	to	to	to	to	to	to
18	30	50	80	120	180	250	320
	±0.25	±0.3	±0.35	±0.5	±0.7	±0.9	±1.0
							±1.2

APP. M.X.B	DATE: 2023.11.30	PART NO:	
CHK. M.C.N	DATE: 2023.11.30	F9AP-7.5-XXP-A	
DRW. C.W	DATE: 2023.11.30	DARWING TYPE: Customer Drawing	
PROJECTION		UNITS: mm	SCALE: 2:1 SHEET/OF: 3/3
AINEWELL		昆山艾尼维尔电子有限公司 KUN SHAN AINEWELL ELECTRONICS CO.,LTD	