

REV	DESCRIPTION	DRW.	DATE
00	初版发行	M.C.N	2022.07.19
01.1	增加2P 图示	M.C.N	2022.08.22

Notes/备注:

1. Electrical properties/电气特性
UL Standard/UL 标准

Use Group/应用组别	B	C	D	F
Rated Voltage/额定电压 (V)	300	300	600	600
Rated Current/额定电流 (A)	16	16	5	16
Withstanding voltage/工频耐电压	AC 2200V/1Min			

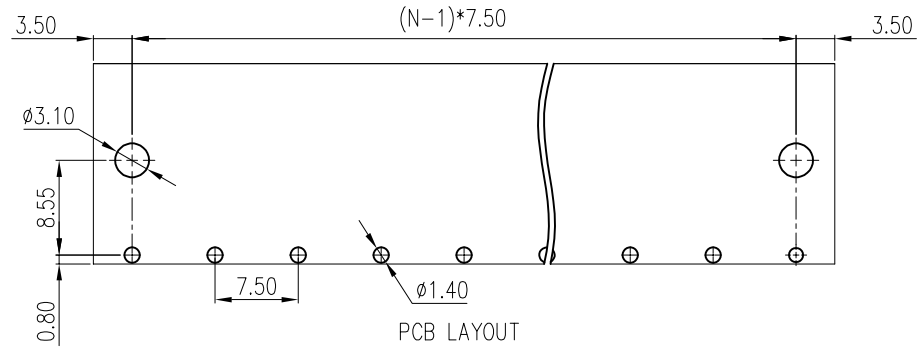
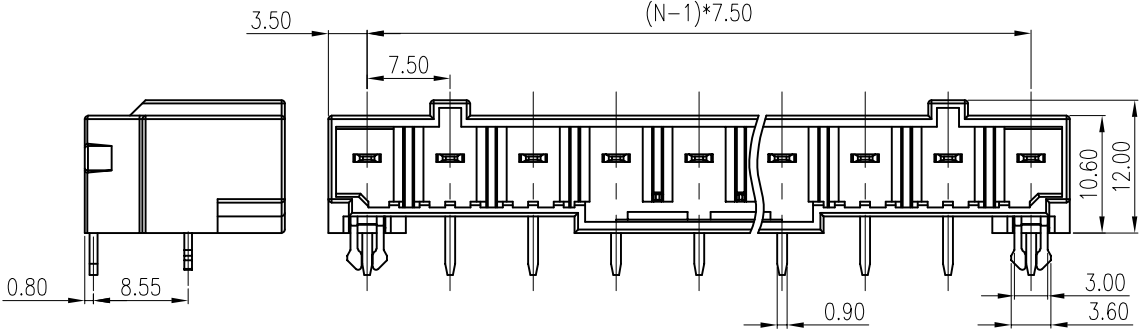
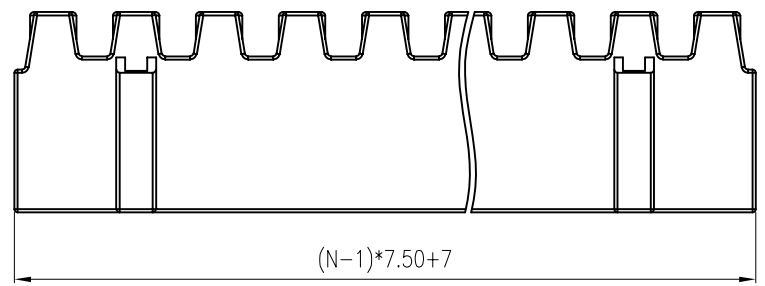
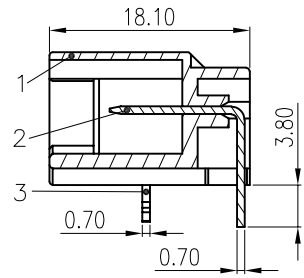
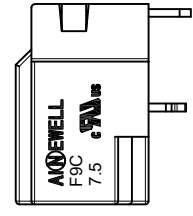
IEC Standard/IEC 标准

Rated Voltage/额定电压 (V): 630
Rated Current/额定电流 (A): 20

Overvoltage Category/过电压类别 /Pollution Degree/污染等级	II/2	III/2	III/3
Voltage/电压 (V)	1000	630	500
Rated Impulse Voltage/冲击耐电压(KV)	6	6	6

2. Environmental safety/环境安全

Operating temperature/工作温度范围(°C): -40~+105
RoHS compliant/符合RoHS环保要求



Part No./料号说明:

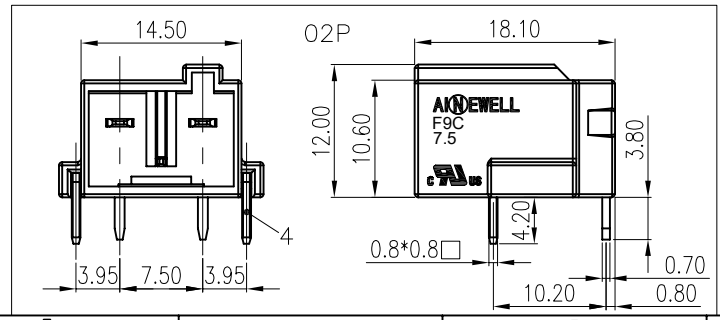
F9C-7-7.5-XXP-X

Poles/P数
03: 3Poles
04: 4Poles
...
12: 12Poles

Color/颜色
1: Brown/棕色
2: Red/红色
3: Orange/橙色
4: Yellow/黄色
5: Green/绿色
6: Blue/蓝色
7: Purple/紫色
8: Grey/灰色
9: White/白色
A: Black/黑色

ITEM	NAME OF PART	MATERIAL	NOTES
4	PIN HEADER 焊针2	Copper Alloy	Sn Plated
3	BUCKLE 卡钩	Brass	Sn Plated
2	PIN HEADER 焊针1	Copper Alloy	Au Plated
1	HOUSING 主体	LCP	UL94 V-0

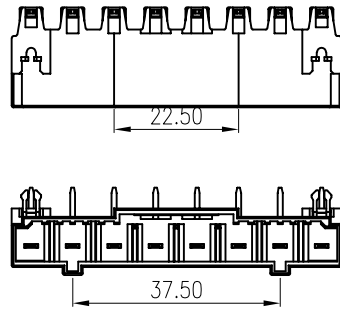
Nominal dimension Tolerances (mm)							
0 to 18	over 18 to 30	over 30 to 50	over 50 to 80	over 80 to 120	over 120 to 180	over 180 to 250	over 250 to 320
±0.25	±0.3	±0.35	±0.5	±0.7	±0.9	±1.0	±1.2



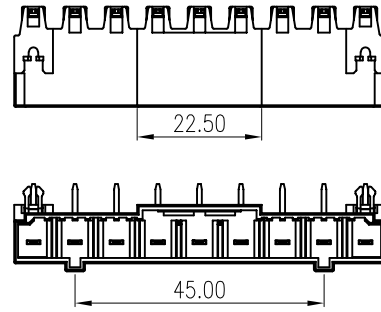
APP.	DATE:	PART NO.: F9C-7-7.5-XXP-X	
CHK.	DATE:		
DRW. M.C.M	DATE: 2022.07.19	DARWING TYPE: Customer Drawing	
PROJECTION		UNITS: mm	SCALE: 2:1 SHEET/OF: 1/3
AINEWELL		昆山艾尼维尔电子有限公司 KUN SHAN AINWELL ELECTRONICS CO.,LTD	

REV	DESCRIPTION	DRW.	DATE
00	初版发行	M.C.N	2022.07.19
01.1	增加2P 图示	M.C.N	2022.08.22

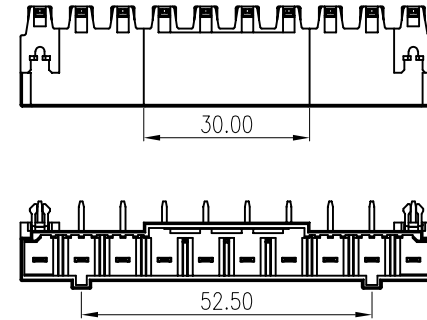
08P



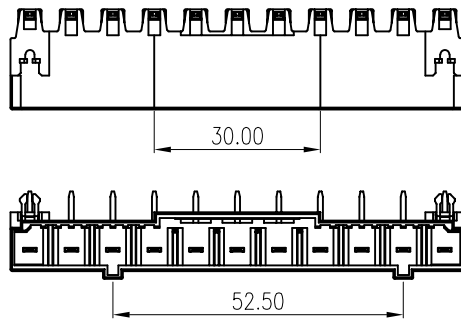
09P



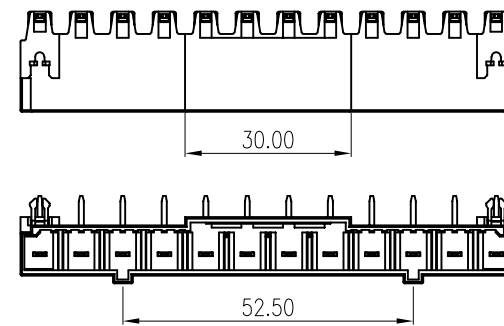
10P



11P



12P

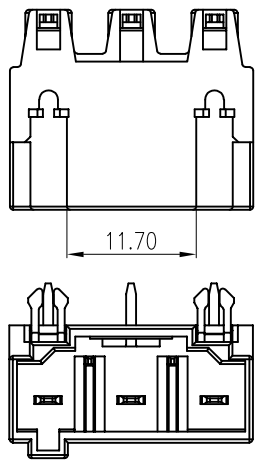


APP.	DATE:	PART NO.: F9C-7-7.5-XXP-X		
CHK.	DATE:			
DRW. M.C.M	DATE: 2022.07.19	DARWING TYPE: Customer Drawing		
PROJECTION		UNITS: mm	SCALE: 1:1	SHEET/OF: 3/3
AINEWELL		昆山艾尼维尔电子有限公司 KUN SHAN AINEWELL ELECTRONICS CO.,LTD		

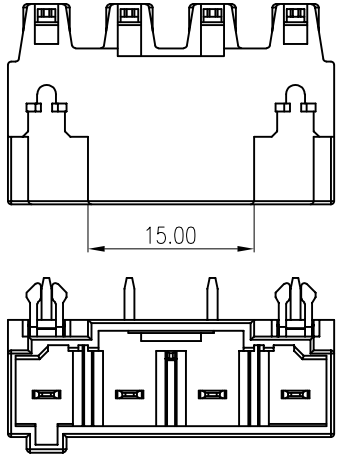
REV	DESCRIPTION	DRW.	DATE
00	初版发行	M.C.N	2022.07.19
01.1	增加2P 图示	M.C.N	2022.08.22

A
B
C
D
E
F

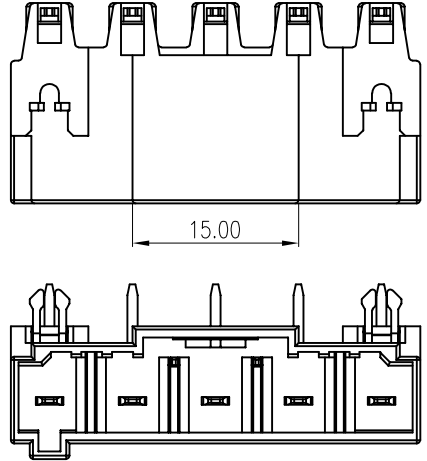
03P



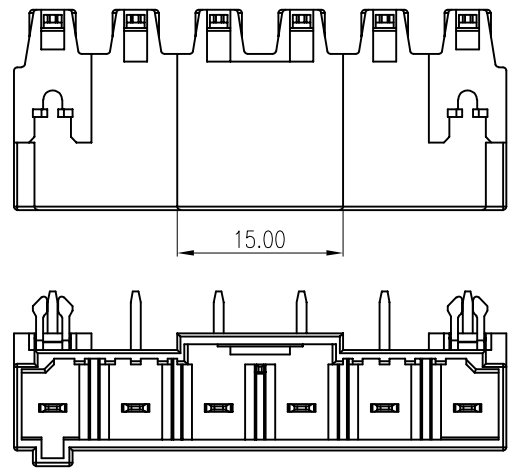
04P



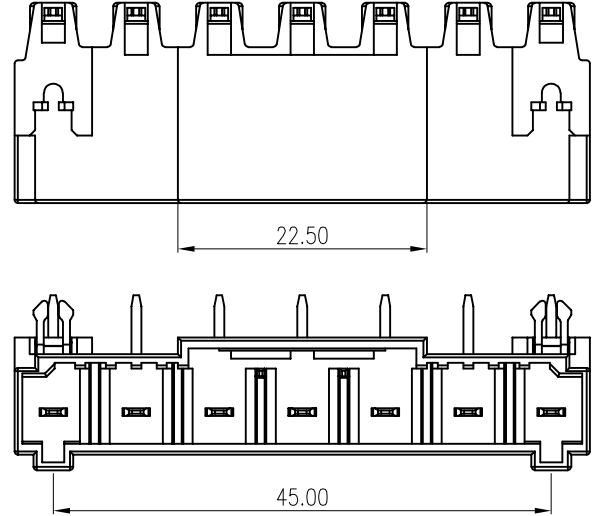
05P



06P



07P



APP.	DATE:	PART NO.: F9C-7-7.5-XXP-X		
CHK.	DATE:			
DRW. M.C.M	DATE: 2022.07.19	DARWING TYPE: Customer Drawing		
PROJECTION		UNITS: mm	SCALE: 2:1	SHEET/OF: 2/3

AINEWELL 昆山艾尼维尔电子有限公司
KUN SHAN AINEWELL ELECTRONICS CO.,LTD

A3

1 2 3 4 5 6 7 8