

REV	DESCRIPTION	DRW.	DATE
00	初版发行	M.C.N	2022.07.19

Notes/备注:

1. Electrical properties/电气特性  
UL Standard/UL标准

Use Group/应用组别	B	C	D	F
Rated Voltage/额定电压 (V)	300	300	600	600
Rated Current/额定电流 (A)	16	16	5	16
Withstanding voltage/工频耐电压	AC 2200V/1Min			

IEC Standard/IEC标准

Rated Voltage/额定电压 (V): 630  
Rated Current/额定电流 (A): 20

Overvoltage Category/过电压类别 /Pollution Degree/污染等级	II/2	III/2	III/3
Voltage/电压 (V)	1000	630	500
Rated Impulse Voltage/冲击耐电压(KV)	6	6	6

2. Connection data/连接数据

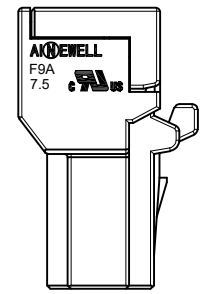
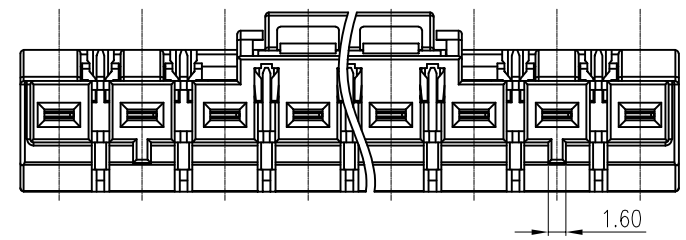
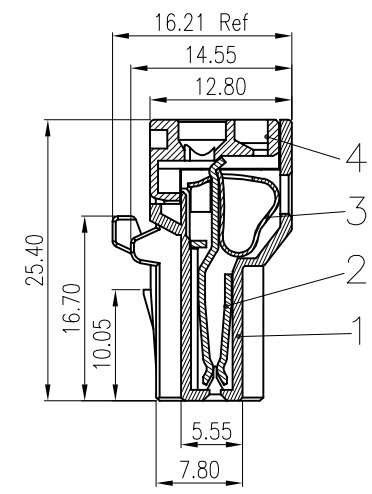
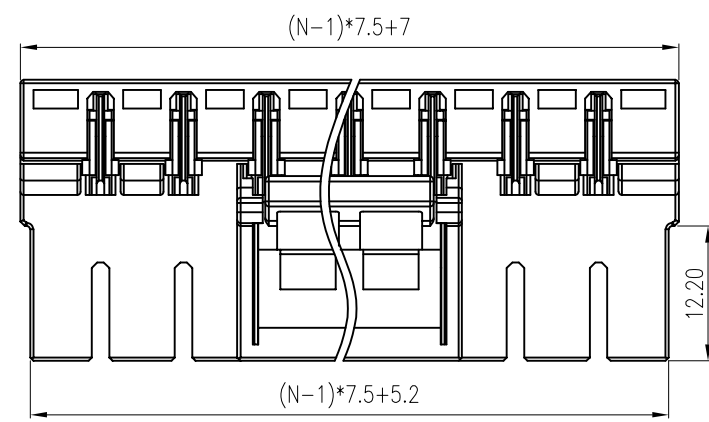
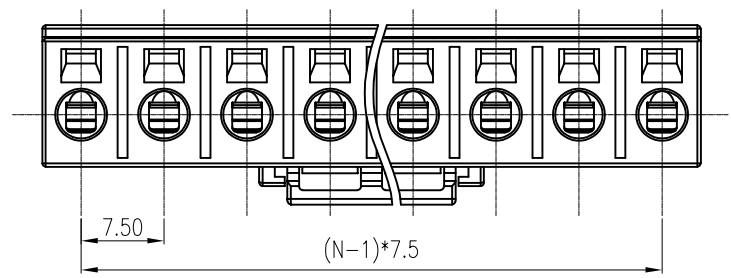
Wire range/线径范围(AWG/mm<sup>2</sup>): 28~12/0.2~2.5  
Stripping length/剥线长度(mm): 8~9

3. Environmental safety/环境安全

Operating temperature/工作温度范围(°C): -40~+105  
RoHS compliant/符合RoHS环保要求

4	COVER 盖板	PA66-GF25	UL94 V-0
3	SHRAPNEL 弹片	Steel	/
2	CLAMP 夹片	Copper Alloy	Au Plated
1	HOUSING 主体	PA66-GF25	UL94 V-0
ITEM	NAME OF PART	MATERIAL	NOTES

APP.	DATE:	PART NO: <b>F9A-7.5-XXP-X</b>	
CHK.	DATE:	DARWING TYPE: Customer Drawing	
DRW. M.C.M	DATE:2022.07.19	UNITS: mm	SCALE: 2:1 SHEET/OF: 1/3
PROJECTION			
<b>AINEWELL</b>		昆山艾尼维尔电子有限公司 KUN SHAN AINEWELL ELECTRONICS CO.,LTD	



Part No./料号说明:

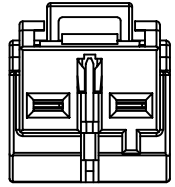
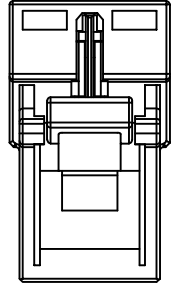
F9A-7.5-XXP-X

Poles/P数	Color/颜色
02: 2Poles	1: Brown/棕色
03: 3Poles	2: Red/红色
...	3: Orange/橙色
12: 12Poles	4: Yellow/黄色
	5: Green/绿色
	6: Blue/蓝色
	7: Purple/紫色
	8: Grey/灰色
	9: White/白色
	A: Black/黑色

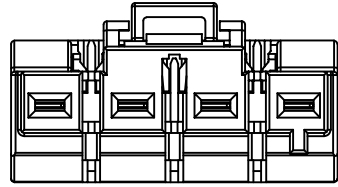
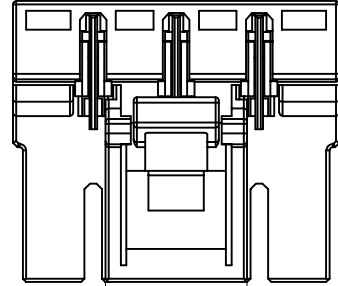
Nominal dimension Tolerances (mm)							
0	over 18	over 30	over 50	over 80	over 120	over 180	over 250
to 18	to 30	to 50	to 80	to 120	to 180	to 250	to 320
±0.25	±0.3	±0.35	±0.5	±0.7	±0.9	±1.0	±1.2

REV	DESCRIPTION	DRW.	DATE
00	初版发行	M.C.N	2022.07.19

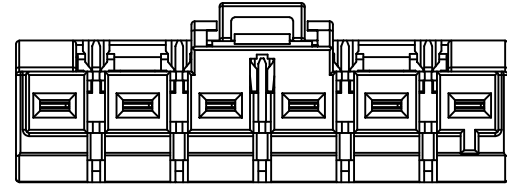
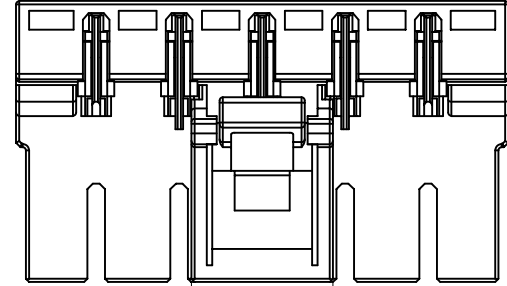
02P



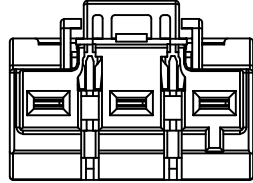
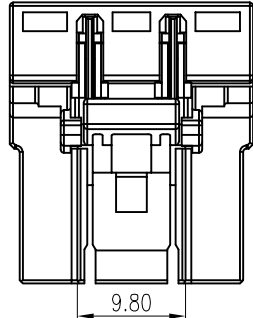
04P



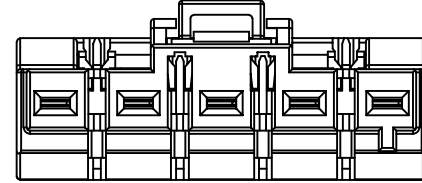
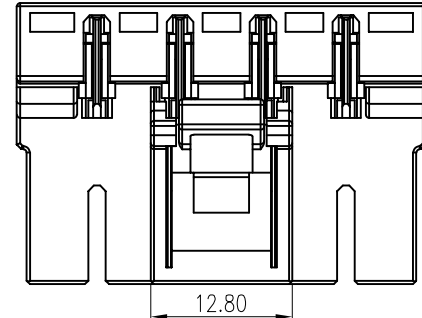
06P



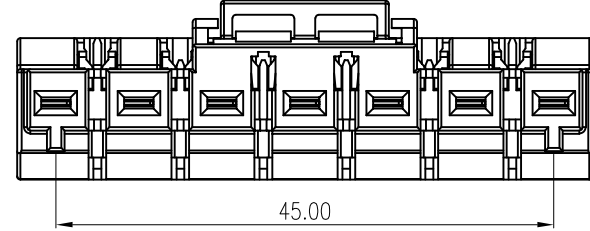
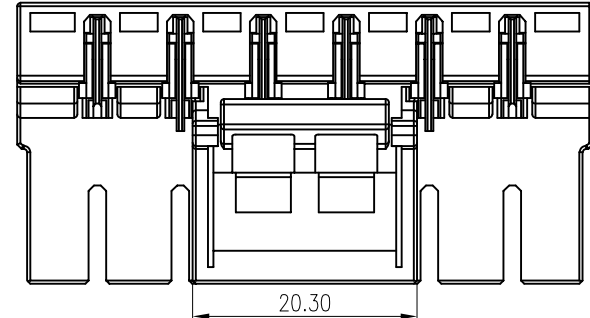
03P



05P



07P



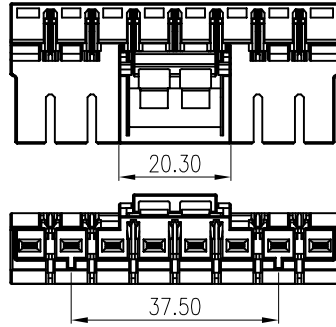
APP.	DATE:	PART NO.: F9A-7.5-XXP-X		
CHK.	DATE:			
DRW. M.C.M	DATE: 2022.07.19	DARWING TYPE: Customer Drawing		
PROJECTION		UNITS: mm	SCALE: 2:1	SHEET/OF: 2/3

**AINEWELL**

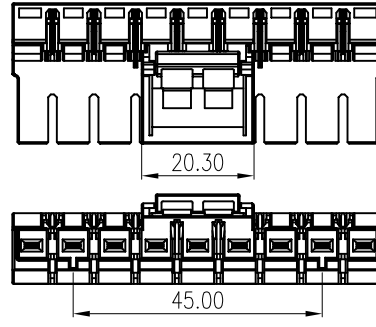
昆山艾尼维尔电子有限公司  
KUN SHAN AINEWELL ELECTRONICS CO.,LTD

REV	DESCRIPTION	DRW.	DATE
00	初版发行	M.C.N	2022.07.19

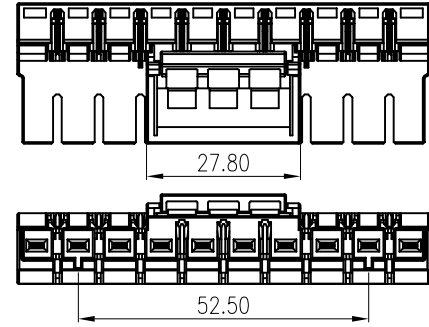
08P



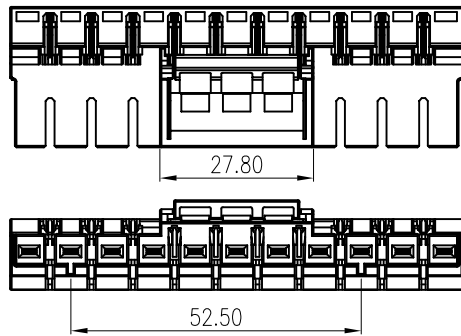
09P



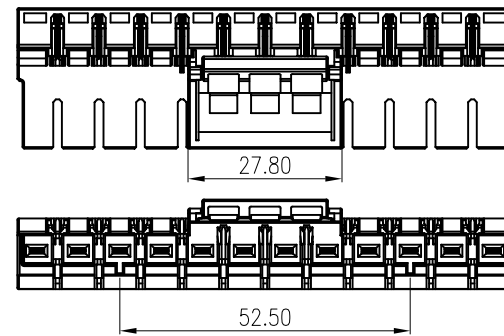
10P



11P



12P



APP.	DATE:	PART NO: F9A-7.5-XXP-X		
CHK.	DATE:			
DRW. M.C.M	DATE: 2022.07.19	DARWING TYPE: Customer Drawing		
PROJECTION		UNITS: mm	SCALE: 1:1	SHEET/OF: 3/3
<b>AINEWELL</b>		昆山艾尼维尔电子有限公司 KUN SHAN AINEWELL ELECTRONICS CO.,LTD		