

REV	DESCRIPTION	DRW.	DATE
00	初版发行	M.C.N	2022.10.13

Notes/备注:

1. Electrical properties/电气特性  
UL Standard/UL标准

Use Group/应用组别	B	C	D
Rated Voltage/额定电压 (V)	300	/	300
Rated Current/额定电流 (A)	15	/	10
Withstanding voltage/工频耐电压	AC 1600V/1Min		

IEC Standard/IEC标准

Rated Voltage/额定电压 (V): 320  
Rated Current/额定电流 (A): 16

Overvoltage Category/过电压类别 /Pollution Degree/污染等级	II/2	III/2	III/3
Voltage/电压 (V)	630	320	250
Rated Impulse Voltage/冲击耐电压(KV)	4	4	4

2. Connection data/连接数据

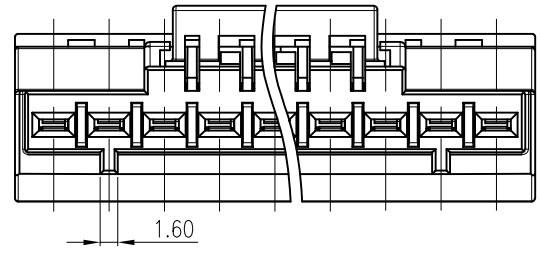
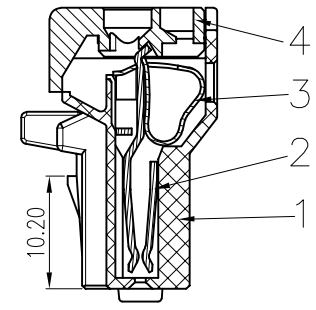
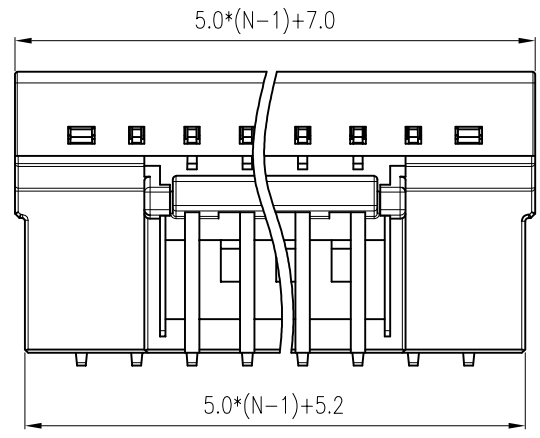
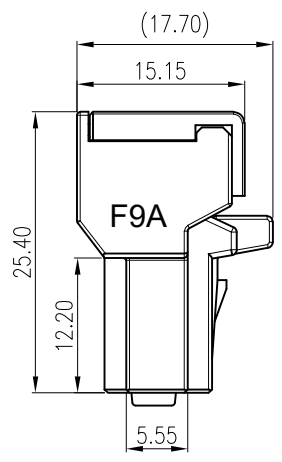
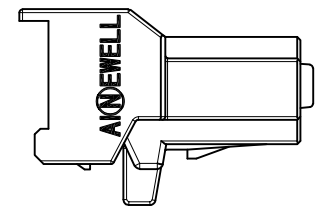
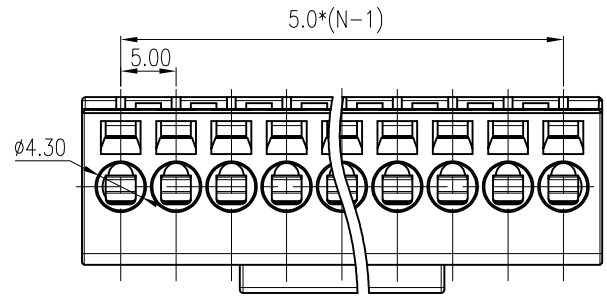
Wire range/线径范围(AWG/mm<sup>2</sup>): 28~12/0.2~2.5  
Stripping length/剥线长度(mm): 8~9

3. Environmental safety/环境安全

Operating temperature/工作温度范围(°C): -40~+105  
RoHS compliant/符合RoHS环保要求

4	COVER 盖板	PA66-GF25	UL94 V-0
3	SHRAPNEL 弹片	Steel	/
2	CLAMP 夹片	Copper Alloy	Au Plated
1	HOUSING 主体	PA66-GF25	UL94 V-0
ITEM	NAME OF PART	MATERIAL	NOTES

APP.	DATE:	PART NO: <b>F9A-5.0-XXP-X</b>
CHK.	DATE:	
DRW. M.C.M	DATE: 2022.10.13	DARWING TYPE: Customer Drawing
PROJECTION		UNITS: mm SCALE: 2:1 SHEET/OF: 1/4
<b>AINEWELL</b>		昆山艾尼维尔电子有限公司 KUN SHAN AINEWELL ELECTRONICS CO.,LTD



Part No./料号说明:

**F9A-5.0-XXP-X**

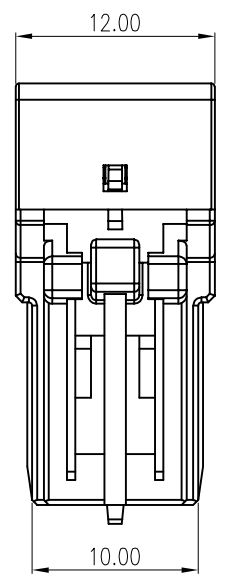
Poles/P数	Color/颜色	
02: 2Poles	1: Brown/棕色	6: Blue/蓝色
03: 3Poles	2: Red/红色	7: Purple/紫色
...	3: Orange/橙色	8: Grey/灰色
16: 16Poles	4: Yellow/黄色	9: White/白色
	5: Green/绿色	A: Black/黑色

Nominal dimension		Tolerances (mm)							
F		over 0 to 18	over 18 to 30	over 30 to 50	over 50 to 80	over 80 to 120	over 120 to 180	over 180 to 250	over 250 to 320
		±0.25	±0.3	±0.35	±0.5	±0.7	±0.9	±1.0	±1.2

REV	DESCRIPTION	DRW.	DATE
00	初版发行	M.C.N	2022.10.13

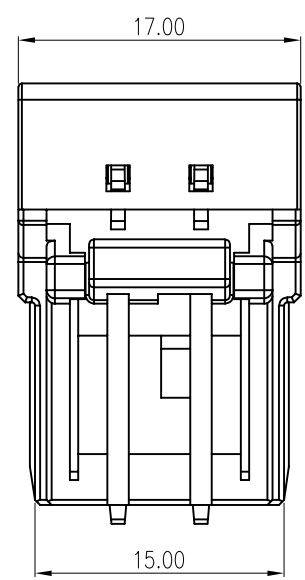
A

2P



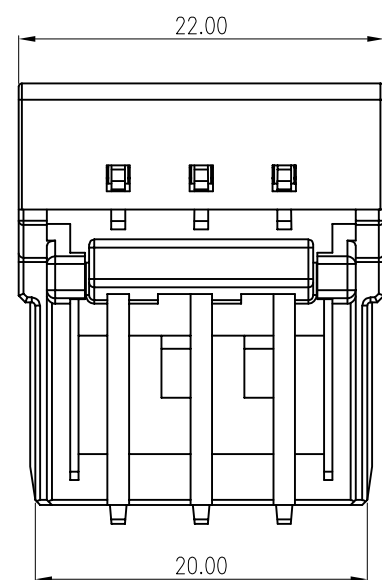
B

3P

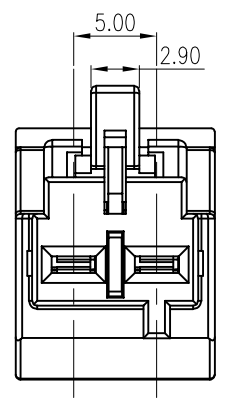


C

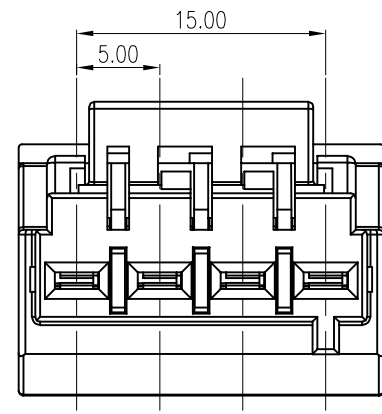
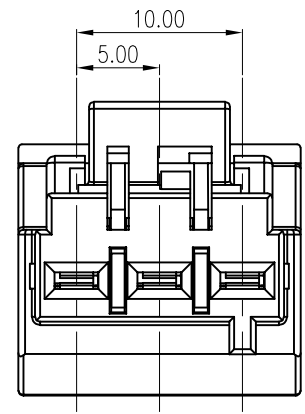
4P



D



E



F

Nominal dimension Tolerances (mm)							
	over 0 to 18	over 18 to 30	over 30 to 50	over 50 to 80	over 80 to 120	over 120 to 180	over 180 to 250
	±0.25	±0.3	±0.35	±0.5	±0.7	±0.9	±1.0
							±1.2

APP.	DATE:	PART NO.: F9A-5.0-XXP-X		
CHK.	DATE:			
DRW. M.C.M	DATE: 2022.10.13	DARWING TYPE: Customer Drawing		
PROJECTION		UNITS: mm	SCALE: 3:1	SHEET/OF: 2/4
<b>AINEWELL</b>		昆山艾尼维尔电子有限公司 KUN SHAN AINEWELL ELECTRONICS CO.,LTD		

A3

A

B

C

D

E

F

1

2

3

4

5

6

7

8

REV	DESCRIPTION	DRW.	DATE
00	初版发行	M.C.N	2022.10.13

A

B

C

D

E

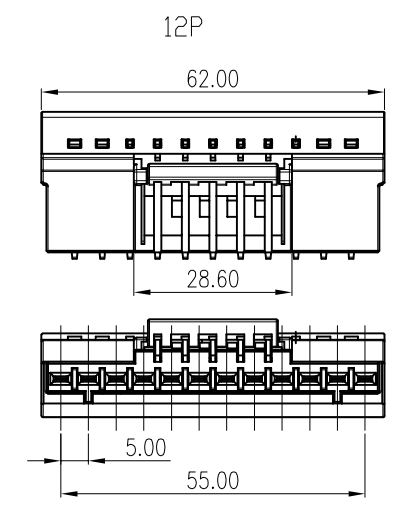
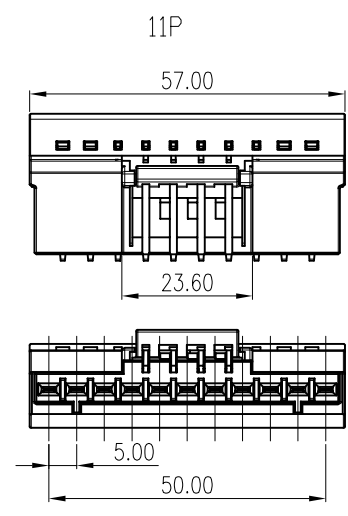
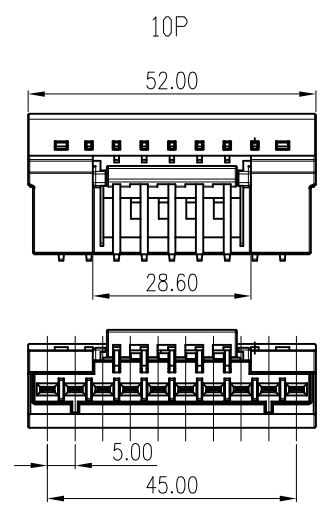
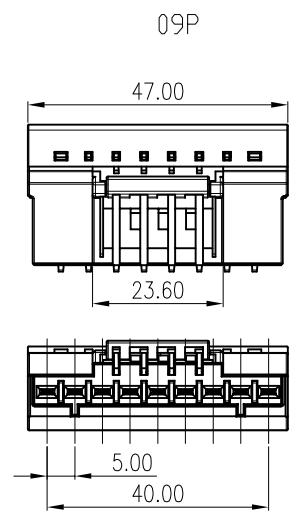
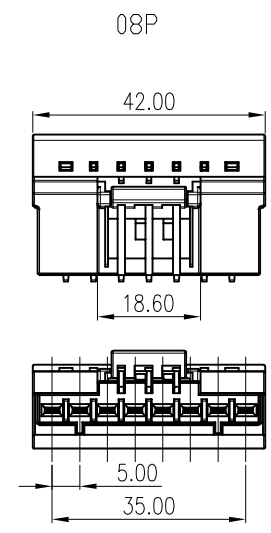
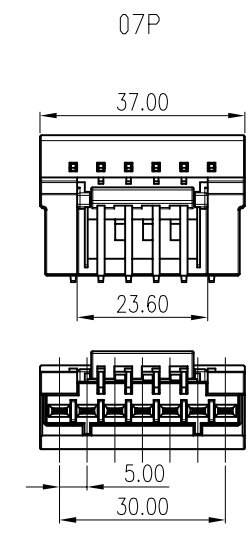
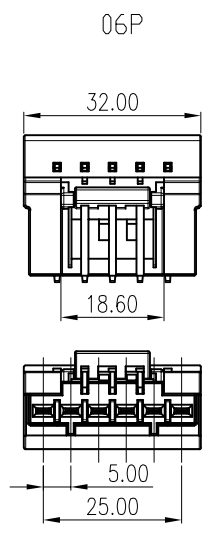
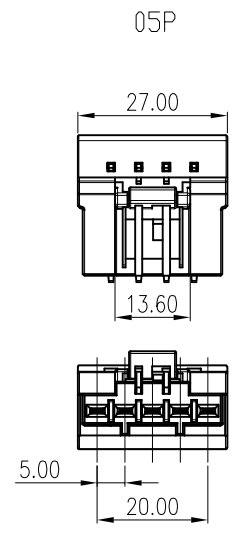
A

B

C

D

E



Nominal dimension Tolerances (mm)							
	over 0 to 18	over 18 to 30	over 30 to 50	over 50 to 80	over 80 to 120	over 120 to 180	over 180 to 250
	±0.25	±0.3	±0.35	±0.5	±0.7	±0.9	±1.0
	±1.2						

APP.	DATE:	PART NO.: F9A-5.0-XXP-X	
CHK.	DATE:		
DRW. M.C.M	DATE: 2022.10.13	DARWING TYPE: Customer Drawing	
PROJECTION		UNITS: mm	SCALE: 1:1 SHEET/OF: 3/4

**AINEWELL** 昆山艾尼维尔电子有限公司  
KUN SHAN AINEWELL ELECTRONICS CO.,LTD

A3

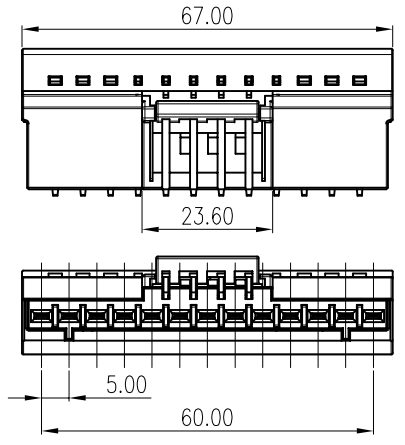
1 2 3 4 5 6 7 8

REV	DESCRIPTION	DRW.	DATE
00	初版发行	M.C.N	2022.10.13

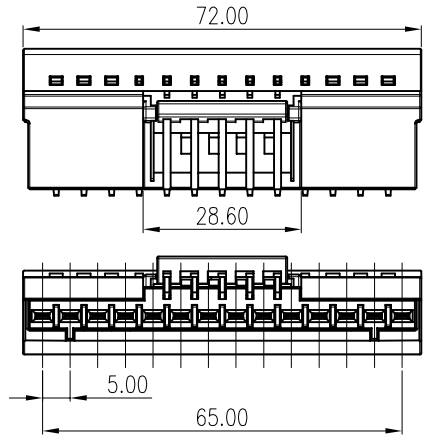
A  
B  
C  
D  
E  
F

A  
B  
C  
D  
E  
F

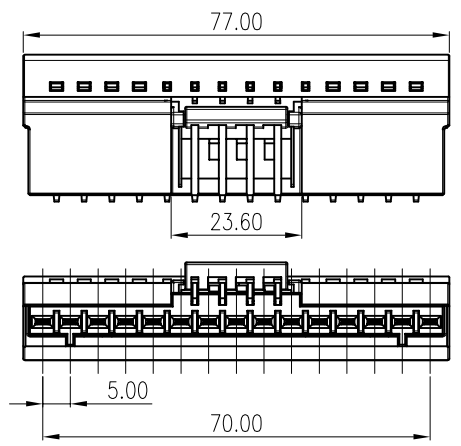
13P



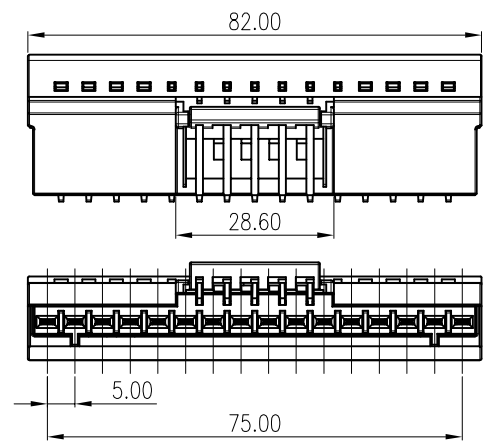
14P



15P



16P



Nominal dimension		Tolerances (mm)						
0	over	over	over	over	over	over	over	
to	18	30	50	80	120	180	250	
18	to	to	to	to	to	to	to	
	30	50	80	120	180	250	320	
	±0.25	±0.3	±0.35	±0.5	±0.7	±0.9	±1.0	
							±1.2	

APP.	DATE:	PART NO.: F9A-5.0-XXP-X		
CHK	DATE:			
DRW. M.C.M	DATE: 2022.10.13	DARWING TYPE: Customer Drawing		
PROJECTION		UNITS: mm	SCALE: 1:1	SHEET/OF: 4/4
<b>AINEWELL</b>		昆山艾尼维尔电子有限公司 KUN SHAN AINEWELL ELECTRONICS CO.,LTD		

A3

1 2 3 4 5 6 7 8