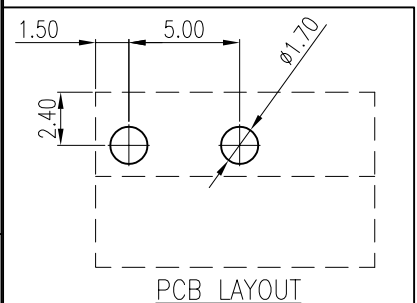
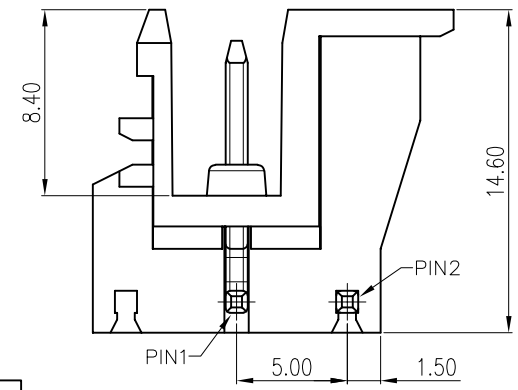
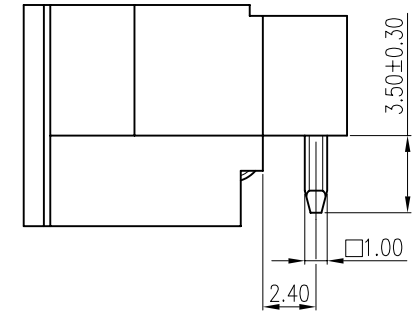
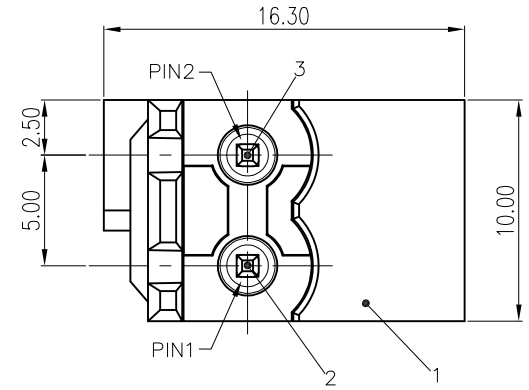


REV	DESCRIPTION	DRW.	DATE
01.1	初版发行	C.W	2022.05.07



Notes/备注:

1. Electrical properties/电气特性
UL Standard/UL 标准

Use Group/应用组别	B	C	D
Rated Voltage/额定电压 (V)	300	/	300
Rated Current/额定电流 (A)	15	/	10
Withstanding voltage/工频耐电压	AC 1600V/1Min		

IEC Standard/IEC 标准

Rated Voltage/额定电压 (V): 320
Rated Current/额定电流 (A): 20

Overvoltage Category/过电压类别 /Pollution Degree/污染等级	II/2	III/2	III/3
Voltage/电压 (V)	400	320	250
Rated Impulse Voltage/冲击耐电压 (KV)	4	4	4

2. Environmental safety/环境安全

Operating temperature/工作温度范围 (°C): -40~+105
RoHS compliant/符合RoHS环保要求

ITEM	NAME OF PART	MATERIAL	NOTES
3	Pin header 焊针2	Copper Alloy	Sn Plated
2	Pin header 焊针1	Copper Alloy	Sn Plated
1	HOUSING 主体	PA66	UL94 V-0

Part No./料号说明:
F8ALF-5.0-02P-X

- Color/颜色
- 1: Brown/棕色
 - 2: Red/红色
 - 3: Orange/橙色
 - 4: Yellow/黄色
 - 5: Green/绿色
 - 6: Blue/蓝色
 - 7: Purple/紫色
 - 8: Grey/灰色
 - 9: White/白色
 - A: Black/黑色

Nominal dimension Tolerances (mm)							
0	over 18	over 30	over 50	over 80	over 120	over 180	over 250
to 18	to 30	to 50	to 80	to 120	to 180	to 250	to 320
±0.25	±0.3	±0.35	±0.5	±0.7	±0.9	±1.0	±1.2

APP.	DATE:	PART NO.: F8ALF-5.0-02P-X	
CHK.	DATE:	DARWING TYPE: Customer Drawing	
DRW. C.W	DATE: 2022.05.07	UNITS: mm	SCALE: 4:1 SHEET/OF: 1/1
PROJECTION			
AINEWELL		昆山艾尼维尔电子有限公司 KUN SHAN AINEWELL ELECTRONICS CO.,LTD	