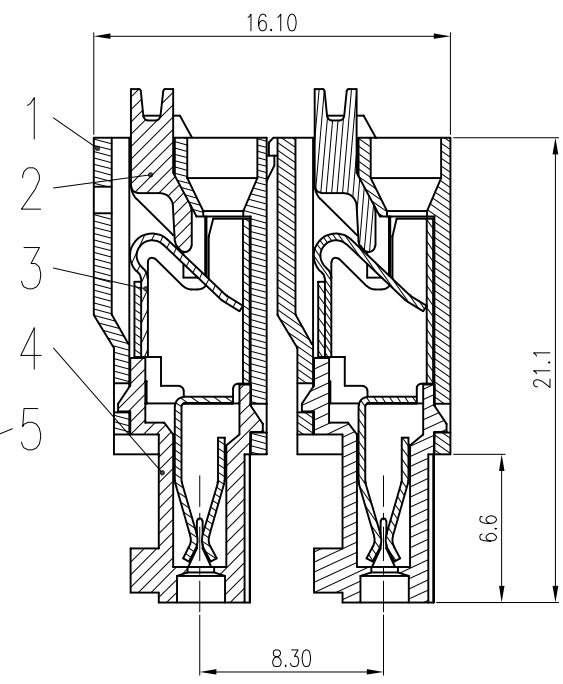
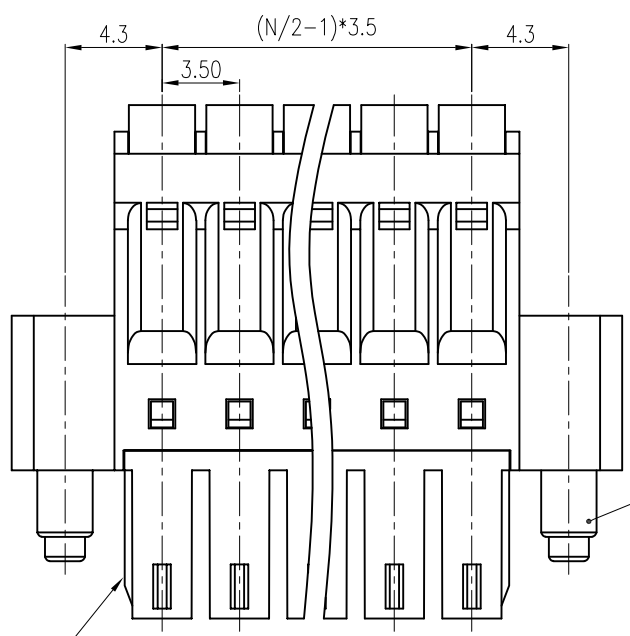
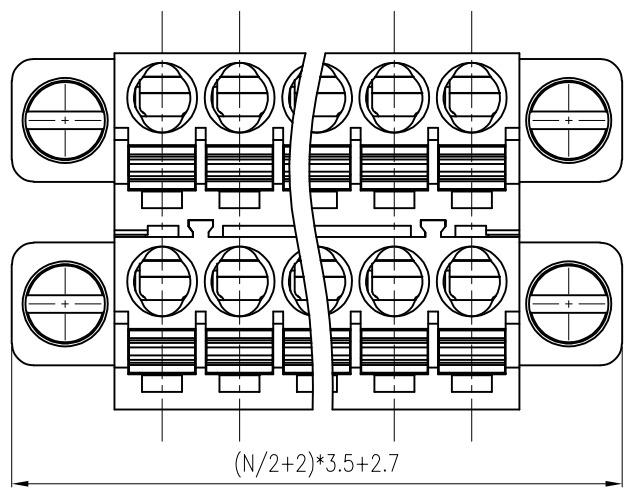


REV	DESCRIPTION	DRW.	DATE
00	初版发行	M.C.N	2022.08.09



- Notes/备注:
- Electrical properties/电气特性
UL Standard/UL标准
- | Use Group/应用组别 | B | C | D |
|----------------------------|---------------|---|-----|
| Rated Voltage/额定电压 (V) | 300 | / | 300 |
| Rated Current/额定电流 (A) | 8 | / | 8 |
| Withstanding voltage/工频耐电压 | AC 1600V/1Min | | |
- IEC Standard/IEC标准
- Rated Voltage/额定电压 (V): 320
Rated Current/额定电流 (A): 8
- | Overvoltage Category/过电压类别
/Pollution Degree/污染等级 | II/2 | III/2 | III/3 |
|--|------|-------|-------|
| Voltage/电压 (V) | 320 | 160 | 160 |
| Rated Impulse Voltage/冲击耐电压 (KV) | 2.5 | 2.5 | 2.5 |
- Connection data/连接数据
Wire range/线径范围 (AWG/mm²): 24~16/0.2~1.5
Stripping length/剥线长度 (mm): 9~10
 - Environmental safety/环境安全
Operating temperature/工作温度范围 (°C): -40~+105
RoHS compliant/符合RoHS环保要求

ITEM	NAME OF PART	MATERIAL	NOTES
5	SCREW 螺丝	Steel	M2.5/Zn Plated
4	COVER 盖板	PA66	UL94 V-0
3	CLAMP 夹片	Copper Alloy	Sn Plated
2	BUTTON 按钮	POM	UL94 V-0
1	HOUSING 主体	PA66	UL94 V-0

04~12P: 带卡点/04P to 12P with wedge
14P~48P: 不带卡点/Above 14P without wedge

Part No./料号说明:
F7EMHM-3.5-XXP-X

Nominal dimension Tolerances (mm)							
0	over 18	over 30	over 50	over 80	over 120	over 180	over 250
to 18	to 30	to 50	to 80	to 120	to 180	to 250	to 320
	±0.25	±0.3	±0.35	±0.5	±0.7	±0.9	±1.0
							±1.2

- Poles/P数
- 02: 2Poles
03: 3Poles
...
24: 24Poles
- Color/颜色
- | | |
|--------------|--------------|
| 1: Brown/棕色 | 6: Blue/蓝色 |
| 2: Red/红色 | 7: Purple/紫色 |
| 3: Orange/橙色 | 8: Grey/灰色 |
| 4: Yellow/黄色 | 9: White/白色 |
| 5: Green/绿色 | A: Black/黑色 |

APP.	DATE:	PART NO.: F7EMHM-3.5-XXP-X
CHK.	DATE:	
DRW. M.C.N	DATE: 2022.08.09	DARWING TYPE: Customer Drawing
PROJECTION		UNITS: mm
		SCALE: 4:1
		SHEET/OF: 1/1
AINEWELL		昆山艾尼维尔电子有限公司 KUN SHAN AINEWELL ELECTRONICS CO.,LTD