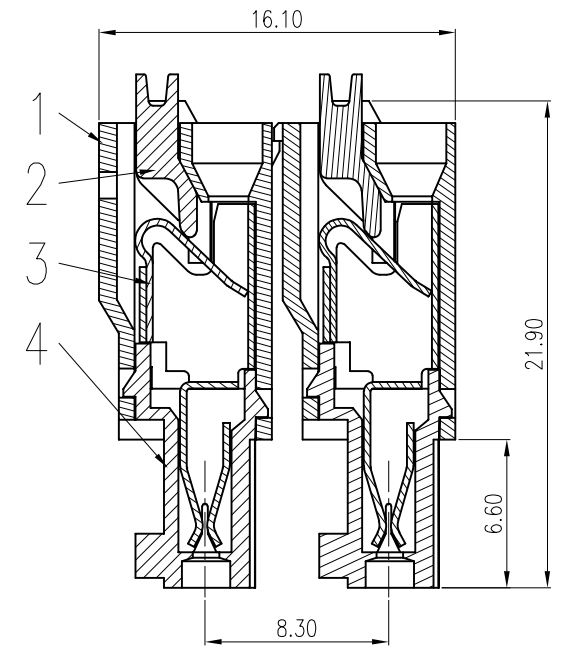
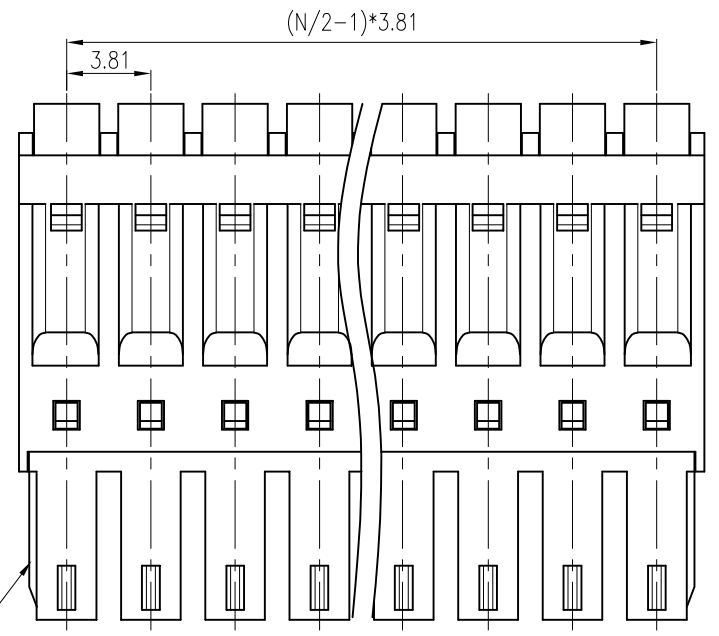
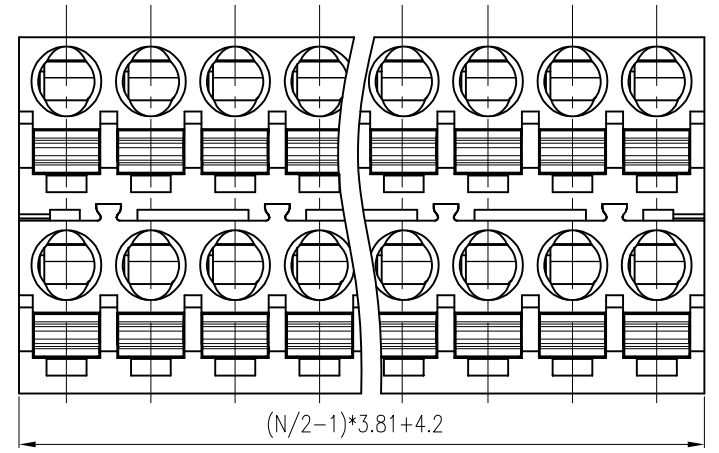


REV	DESCRIPTION	DRW.	DATE
00	初版发行	M.C.N	2022.08.08

- Notes/备注:
- Electrical properties/电气特性  
UL Standard/UL标准
- | Use Group/应用组别             | B             | C | D   |
|----------------------------|---------------|---|-----|
| Rated Voltage/额定电压 (V)     | 300           | / | 300 |
| Rated Current/额定电流 (A)     | 8             | / | 8   |
| Withstanding voltage/工频耐电压 | AC 1600V/1Min |   |     |
- IEC Standard/IEC标准
- Rated Voltage/额定电压 (V): 320  
Rated Current/额定电流 (A): 8
- | Overvoltage Category/过电压类别<br>/Pollution Degree/污染等级 | II/2 | III/2 | III/3 |
|--|------|-------|-------|
| Voltage/电压 (V)                                       | 320  | 160   | 160   |
| Rated Impulse Voltage/冲击耐电压 (KV)                     | 2.5  | 2.5   | 2.5   |
- Connection data/连接数据  
Wire range/线径范围 (AWG/mm<sup>2</sup>): 24~16/0.2~1.5  
Stripping length/剥线长度 (mm): 9~10
  - Environmental safety/环境安全  
Operating temperature/工作温度范围 (°C): -40~+105  
RoHS compliant/符合RoHS环保要求



04~12P: 带卡点/04P to 12P with wedge  
14P~48P: 不带卡点/Above 14P without wedge

Part No./料号说明:  
F7EMH-3.81-XXP-X

Nominal dimension Tolerances (mm)							
0	over 18	over 30	over 50	over 80	over 120	over 180	over 250
to 18	to 30	to 50	to 80	to 120	to 180	to 250	to 320
±0.25	±0.3	±0.35	±0.5	±0.7	±0.9	±1.0	±1.2

- Poles/P数
- 04: 4Poles
  - 03: 5Poles
  - ...
  - 48: 48Poles
- Color/颜色
- 1: Brown/棕色
  - 2: Red/红色
  - 3: Orange/橙色
  - 4: Yellow/黄色
  - 5: Green/绿色
  - 6: Blue/蓝色
  - 7: Purple/紫色
  - 8: Grey/灰色
  - 9: White/白色
  - A: Black/黑色

APP.	DATE:	PART NO.:	
CHK.	DATE:	F7EMH-3.81-XXP-X	
DRW. M.C.N	DATE: 2022.08.08	DARWING TYPE: Customer Drawing	
PROJECTION		UNITS: mm	SCALE: 4:1 SHEET/OF: 1/1
		昆山艾尼维尔电子有限公司 KUN SHAN AINEWELL ELECTRONICS CO.,LTD	