

REV	DESCRIPTION	DRW.	DATE
00	初版发行	M.C.N	2022.10.14

Notes/备注:

1. Electrical properties/电气特性

UL Standard/UL标准

Use Group/应用组别	B	C	D
Rated Voltage/额定电压 (V)	300	/	300
Rated Current/额定电流 (A)	8	/	8
Withstanding voltage/工频耐电压	AC 1600V/1Min		

IEC Standard/IEC标准

Rated Voltage/额定电压 (V): 320

Rated Current/额定电流 (A): 10

Overvoltage Category/过电压类别 /Pollution Degree/污染等级	II/2	III/2	III/3
Voltage/电压 (V)	320	160	160
Rated Impulse Voltage/冲击耐电压 (KV)	2.5	2.5	2.5

2. Connection data/连接数据

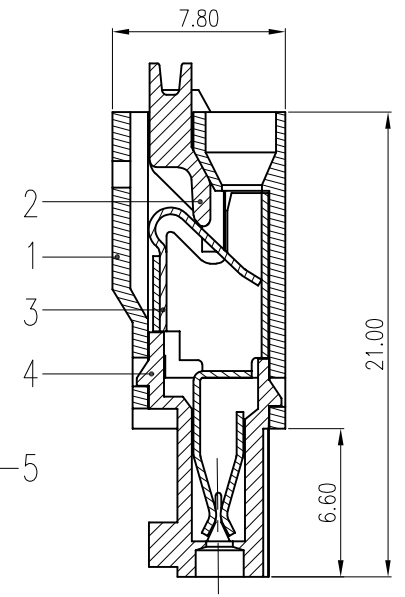
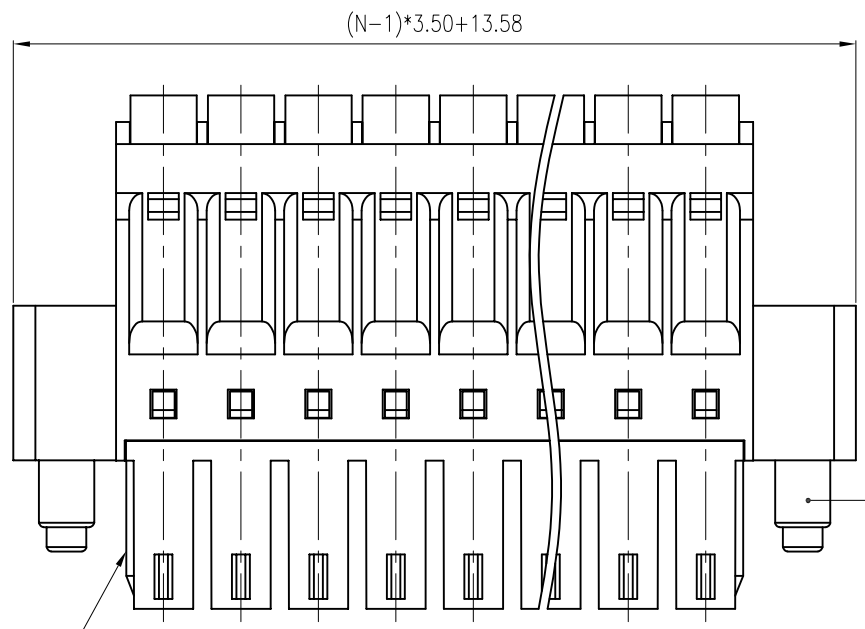
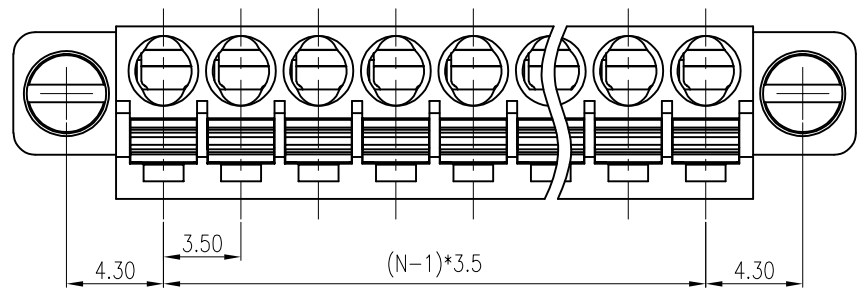
Wire range/线径范围(AWG/mm<sup>2</sup>): 24~16/0.2~1.5

Stripping length/剥线长度(mm): 9~10

3. Environmental safety/环境安全

Operating temperature/工作温度范围(°C): -40~+105

RoHS compliant/符合RoHS环保要求



02~06P:带卡点/02P to 06P with wedge  
07P~24P: 不带卡点/Above 07P without wedge

Part No./料号说明:

F7EMM-3.5-XXP-X

Poles/P数

02: 2Poles

03: 3Poles

...

24: 24Poles

Color/颜色

1: Brown/棕色

2: Red/红色

3: Orange/橙色

4: Yellow/黄色

5: Green/绿色

6: Blue/蓝色

7: Purple/紫色

8: Grey/灰色

9: White/白色

A: Black/黑色

Nominal dimension Tolerances (mm)							
0	over 18	over 30	over 50	over 80	over 120	over 180	over 250
to 18	to 30	to 50	to 80	to 120	to 180	to 250	to 320
±0.25	±0.3	±0.35	±0.5	±0.7	±0.9	±1.0	±1.2

ITEM	NAME OF PART	MATERIAL	NOTES
5	SCREW 螺丝	Steel	M2.5/Zn Plated
4	COVER 盖板	PA66	UL94 V-0
3	CLAMP 夹片	Copper Alloy	Sn Plated
2	BUTTON 按钮	POM	
1	HOUSING 主体	PA66	UL94 V-0

APP.	DATE:	PART NO:	
CHK.	DATE:	F7EMM-3.5-XXP-X	
DRW. M.C.N	DATE: 2022.10.14	DARWING TYPE: Customer Drawing	
PROJECTION		UNITS: mm	SCALE: 4:1 SHEET/OF: 1/1
		昆山艾尼维尔电子有限公司 KUN SHAN AINEWELL ELECTRONICS CO.,LTD	