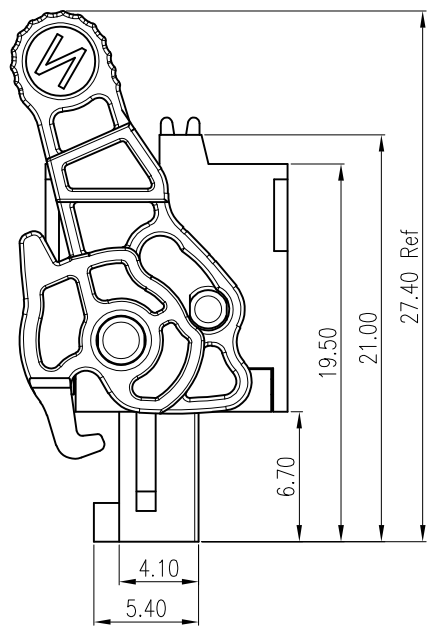
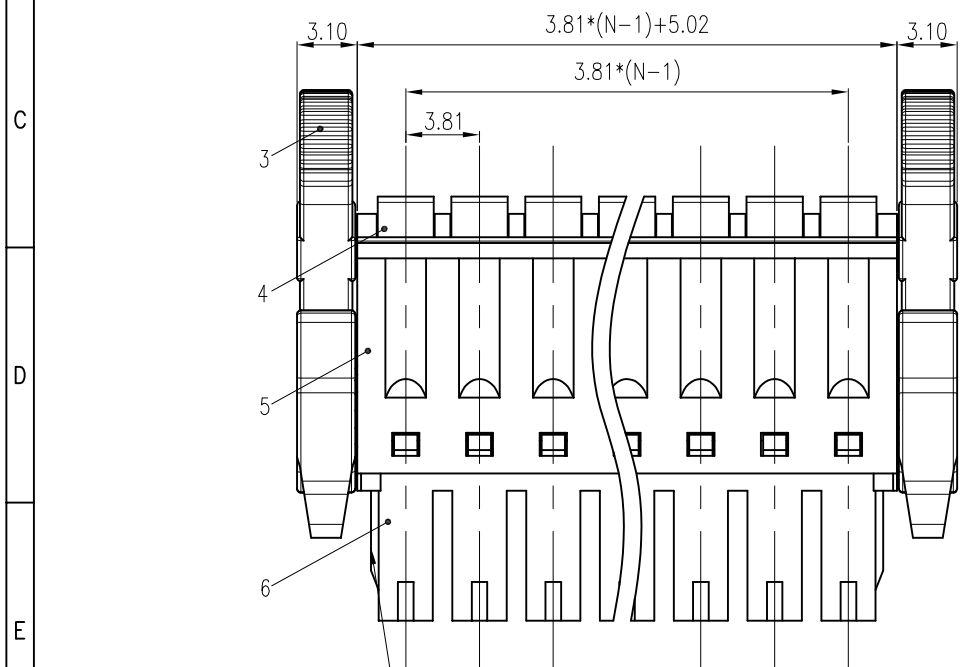
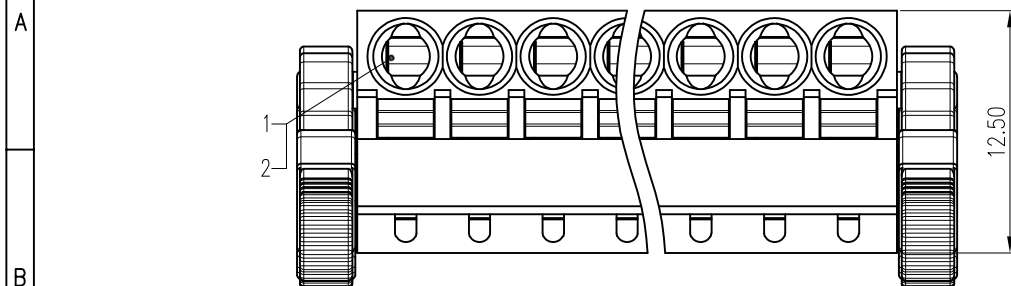


REV	DESCRIPTION	DRW.	DATE
00.1	初版发行	C.W	2022.09.02



Notes/备注:

1. Electrical properties/电气特性  
UL Standard/UL标准

Use Group/应用组别	B	C	D
Rated Voltage/额定电压 (V)	300	/	300
Rated Current/额定电流 (A)	8	/	8
Withstanding voltage/工频耐电压	AC 1600V/1Min		

IEC Standard/IEC标准

Rated Voltage/额定电压 (V): 320  
Rated Current/额定电流 (A): 10

Overvoltage Category/过电压类别 /Pollution Degree/污染等级	II/2	III/2	III/3
Voltage/电压 (V)	320	160	160
Rated Impulse Voltage/冲击耐电压(KV)	2.5	2.5	2.5

2. Connection data/连接数据

Wire range/线径范围(AWG/mm<sup>2</sup>): 28~16/0.2~1.5  
Stripping length/剥线长度(mm): 9~10

3. Environmental safety/环境安全

Operating temperature/工作温度范围(°C): -40~+105  
RoHS compliant/符合RoHS环保要求

02P to 06P with wedge, above 07P  
without wedge (including 07P)

02~06P 带筋位  
07P (包含07P) 以上不带筋位

Part No./料号说明:

F7DT-3.81-XXP-X

Nominal dimension Tolerances (mm)							
0	over 18	over 30	over 50	over 80	over 120	over 180	over 250
to 18	to 30	to 50	to 80	to 120	to 180	to 250	to 320
±0.25	±0.3	±0.35	±0.5	±0.7	±0.9	±1.0	±1.2

Poles/P数  
02: 2Poles  
03: 3Poles  
...  
24: 24Poles

Color/颜色  
1: Brown/棕色  
2: Red/红色  
3: Orange/橙色  
4: Yellow/黄色  
5: Green/绿色  
6: Blue/蓝色  
7: Purple/紫色  
8: Grey/灰色  
9: White/白色  
A: Black/黑色

ITEM	NAME OF PART	MATERIAL	NOTES
6	COVER 盖板	PA66	UL94 V-0
5	HOUSING 主体	PA66	UL94 V-0
4	BUTTON 按钮	PA66	UL94 V-0
3	KNOB 旋钮	PA66	UL94 V-0
2	SHRAPNEL 弹片	SUS	UL94 V-0
1	CLAMP 夹片	Copper Alloy	Sn Plated

APP.	DATE:	PART NO.: F7DT-3.81-XXP-X	
CHK.	DATE:		
DRW. C.W	DATE: 2022.09.02	DARWING TYPE: Customer Drawing	
PROJECTION		UNITS: mm	SCALE: 3.5:1 SHEET/OF: 1/1
		昆山艾尼维尔电子有限公司 KUN SHAN AINEWELL ELECTRONICS CO.,LTD	