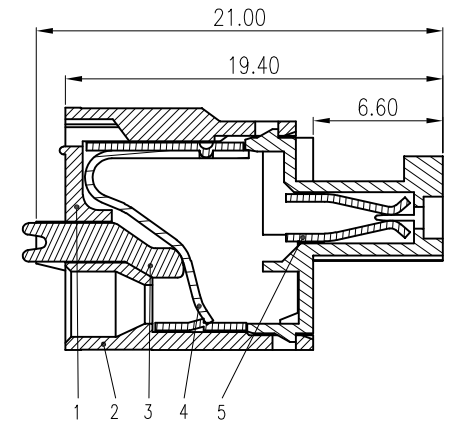
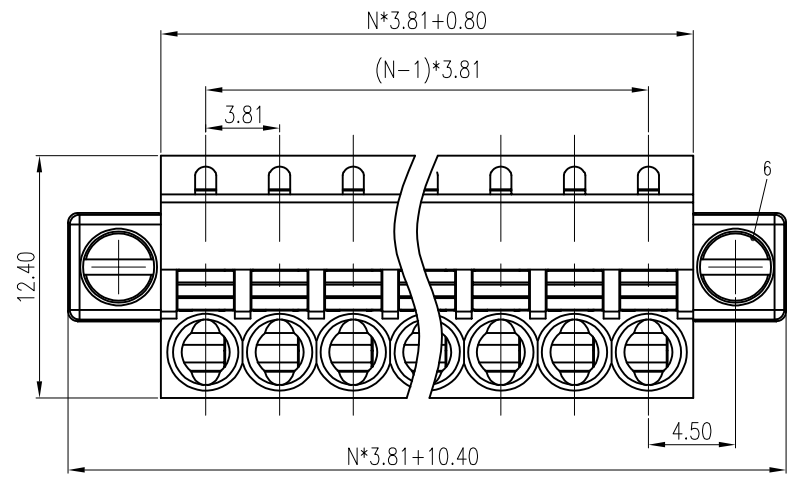
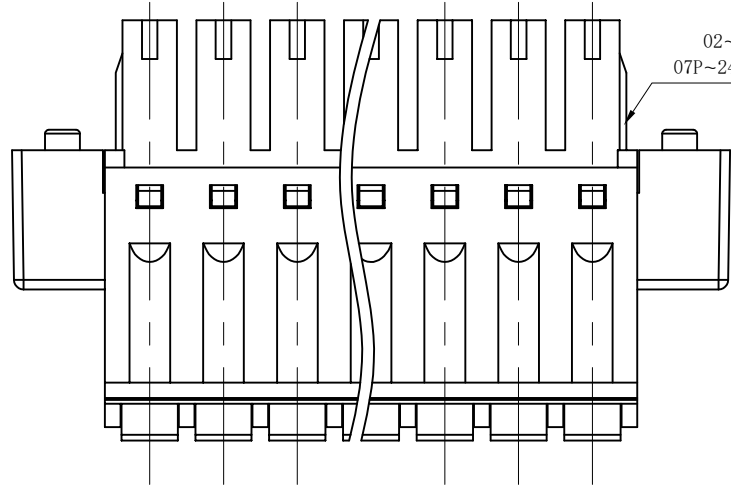


| REV | DESCRIPTION | DRW. | DATE |
|-----|-------------|-------|------------|
| 00 | 初版发行 | M.C.N | 2022.09.30 |



Notes/备注:

1. Electrical properties/电气特性
UL Standard/UL 标准

| | | | |
|----------------------------|---------------|---|-----|
| Use Group/应用组别 | B | C | D |
| Rated Voltage/额定电压 (V) | 300 | / | 300 |
| Rated Current/额定电流 (A) | 8 | / | 8 |
| Withstanding voltage/工频耐电压 | AC 1600V/1Min | | |

IEC Standard/IEC 标准

Rated Voltage/额定电压 (V): 320
Rated Current/额定电流 (A): 10

| | | | |
|------------------------------------------------------|------|-------|-------|
| Overvoltage Category/过电压类别 /Pollution Degree/污染等级 | II/2 | III/2 | III/3 |
| Voltage/电压 (V) | 320 | 160 | 160 |
| Rated Impulse Voltage/冲击耐电压(KV) | 2.5 | 2.5 | 2.5 |

2. Connection data/连接数据
Wire range/线径范围(AWG/mm²): 28~16/0.2~1.5
Stripping length/剥线长度(mm): 9~10

3. Environmental safety/环境安全
Operating temperature/工作温度范围(°C): -40~+105
RoHS compliant/符合RoHS环保要求

Part No./料号说明:
F7DM-3.81-XXP-X

| | | Nominal dimension Tolerances (mm) | | | | | | |
|-------|------|-----------------------------------|------|------|------|------|------|------|
| | | over | over | over | over | over | over | over |
| | | to | to | to | to | to | to | to |
| 0 | 18 | 30 | 50 | 80 | 120 | 180 | 250 | 320 |
| to | to | to | to | to | to | to | to | to |
| 18 | 30 | 50 | 80 | 120 | 180 | 250 | 320 | |
| ±0.25 | ±0.3 | ±0.35 | ±0.5 | ±0.7 | ±0.9 | ±1.0 | ±1.2 | |

- Poles/P数
02: 2Poles
03: 3Poles
...
24: 24Poles
- Color/颜色
1: Brown/棕色
2: Red/红色
3: Orange/橙色
4: Yellow/黄色
5: Green/绿色
6: Blue/蓝色
7: Purple/紫色
8: Grey/灰色
9: White/白色
A: Black/黑色

| 6 | SCREW 螺丝 | Steel | M2.5/Zn Plated |
|------|--------------|--------------|----------------|
| 5 | CLAMP 夹片 | Copper Alloy | Sn Plated |
| 4 | SHRAPNEL 弹片 | Steel | / |
| 3 | BUTTON 按钮 | PA66 | UL94 V-0 |
| 2 | COVER 盖板 | PA66 | UL94 V-0 |
| 1 | HOUSING 主体 | PA66 | UL94 V-0 |
| ITEM | NAME OF PART | MATERIAL | NOTES |

| | | | |
|-----------------|------------------|-------------------------------------------------------|----------------------------|
| APP. | DATE: | PART NO: F7DM-3.81-XXP-X | |
| CHK. | DATE: | | |
| DRW. M.C.M | DATE: 2022.09.30 | DARWING TYPE: Customer Drawing | |
| PROJECTION | | UNITS: mm | SCALE: 3.5:1 SHEET/OF: 1/1 |
| AINEWELL | | 昆山艾尼维尔电子有限公司 KUN SHAN AINEWELL ELECTRONICS CO.,LTD | |