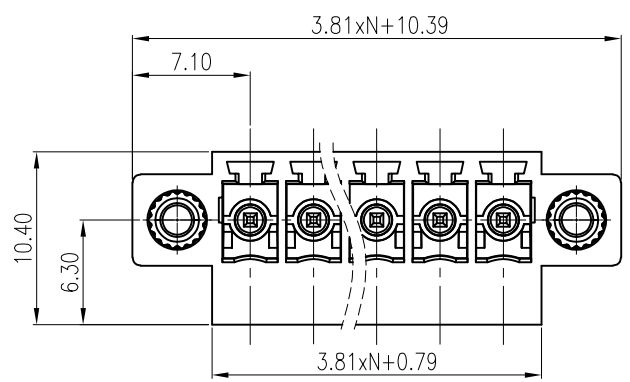
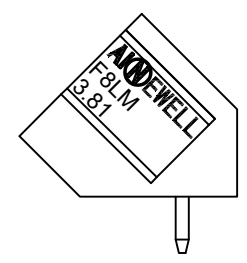
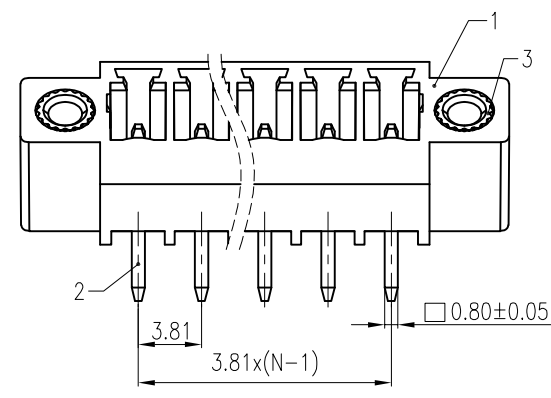
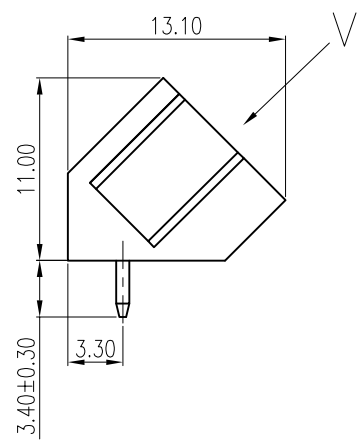


REV	DESCRIPTION	DRW.	DATE
00	初版发行	T.P.W	2023.10.23



VIWE V



Part No./料号说明:
F8LM-3.81-XXP-SCX

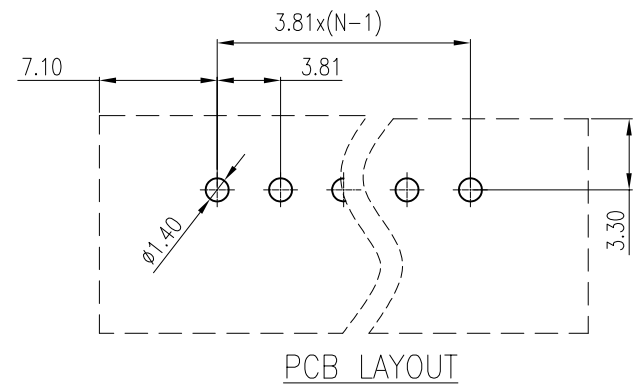
Poles/P数	Color/颜色
02: 2Poles	1: Brown/棕色 6: Blue/蓝色
03: 3Poles	2: Red/红色 7: Purple/紫色
...	3: Orange/橙色 8: Grey/灰色
24: 24Poles	4: Yellow/黄色 9: White/白色
	5: Green/绿色 A: Black/黑色

ITEM	NAME OF PART	MATERIAL	NOTES
3	NUT 螺母	Copper Alloy	/
2	PIN HEADER 焊针	Copper Alloy	Sn Plated
1	HOUSING 主体	PA66	UL94 V-0

APP.	DATE:	PART NO.:
CHK.	DATE:	F8LM-3.81-XXP-SCX
DRW. T.P.W	DATE: 2023.10.23	DARWING TYPE: Customer Drawing
PROJECTION	UNITS: mm	SCALE: 3:1 SHEET/OF: 1/1

AINWELL 昆山艾尼维尔电子有限公司
KUN SHAN AINWELL ELECTRONICS CO.,LTD

Nominal dimension Tolerances (mm)							
0	over 18	over 30	over 50	over 80	over 120	over 180	over 250
to 18	to 30	to 50	to 80	to 120	to 180	to 250	to 320
±0.25	±0.3	±0.35	±0.5	±0.7	±0.9	±1.0	±1.2



PCB LAYOUT