

REV	DESCRIPTION	DRW.	DATE
00	初版发行	M.C.N	2022.08.11
01	增加设变	M.C.N	2023.03.27

Notes/备注:

1. Electrical properties/电气特性

UL Standard/UL 标准

Use Group/应用组别	B	C	D
Rated Voltage/额定电压 (V)	300	/	300
Rated Current/额定电流 (A)	8	/	8
Withstanding voltage/工频耐电压	AC 1600V/1Min		

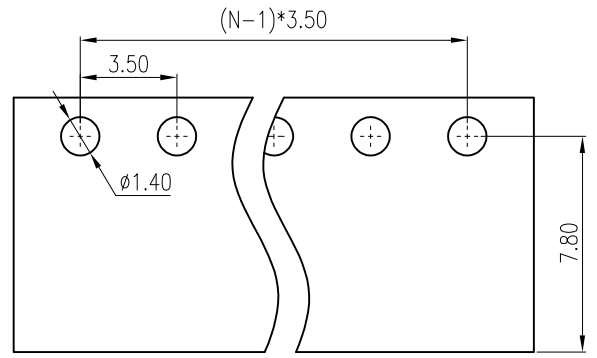
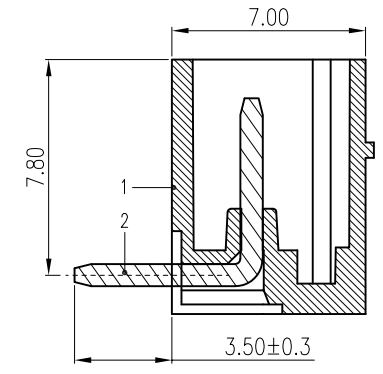
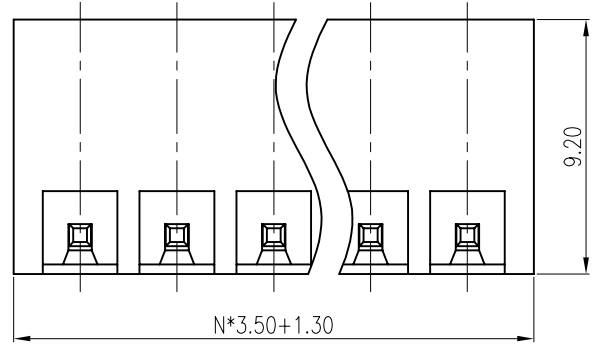
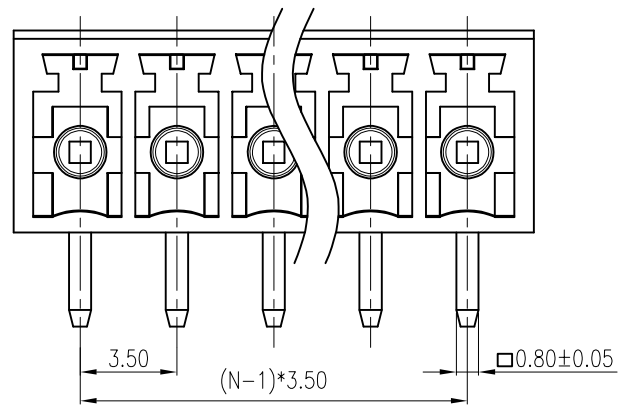
IEC Standard/IEC 标准

Rated Voltage/额定电压 (V): 320
Rated Current/额定电流 (A): 10

Overvoltage Category/过电压类别 /Pollution Degree/污染等级	II/2	III/2	III/3
Voltage/电压 (V)	320	160	160
Rated Impulse Voltage/冲击耐电压(KV)	2.5	2.5	2.5

2. Environmental safety/环境安全

Operating temperature/工作温度范围(°C): -40~+105
RoHS compliant/符合RoHS环保要求



PCB LAYOUT

Part No./料号说明:

F8A-3-3.5-XXP-X

Poles/P数

- 02: 2Poles
- 03: 3Poles
- ...
- 24: 24Poles

Color/颜色

- 1: Brown/棕色
- 2: Red/红色
- 3: Orange/橙色
- 4: Yellow/黄色
- 5: Green/绿色
- 6: Blue/蓝色
- 7: Purple/紫色
- 8: Grey/灰色
- 9: White/白色
- A: Black/黑色

2	PIN HEADER 焊针	Copper Alloy	Sn Plated
1	HOUSING 主体	PA66	UL94 V-0
ITEM	NAME OF PART	MATERIAL	NOTES

APP.	DATE:	PART NO.: F8A-3-3.5-XXP-X		
CHK.	DATE:			
DRW. M.C.M	DATE: 2022.08.11	DARWING TYPE: Customer Drawing		
PROJECTION		UNITS: mm	SCALE: 5:1	SHEET/OF: 1/1



昆山艾尼维尔电子有限公司
KUN SHAN AINEWELL ELECTRONICS CO.,LTD

Nominal dimension		Tolerances (mm)					
0	over 18	over 30	over 50	over 80	over 120	over 180	over 250
to 18	to 30	to 50	to 80	to 120	to 180	to 250	to 320
	±0.25	±0.3	±0.35	±0.5	±0.7	±0.9	±1.2