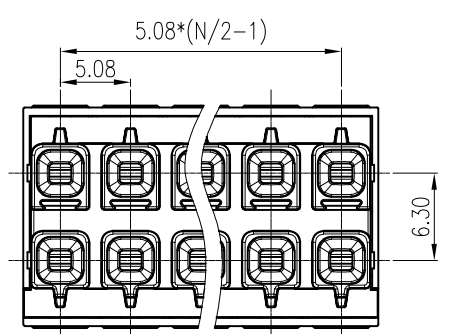
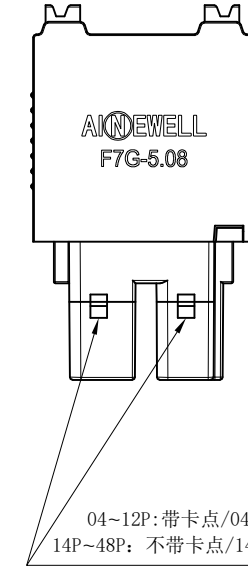
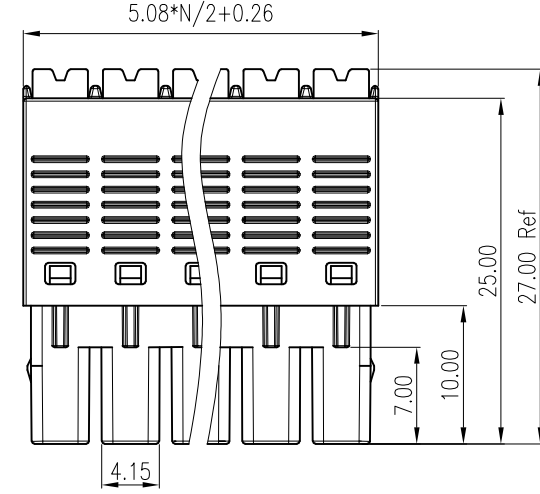
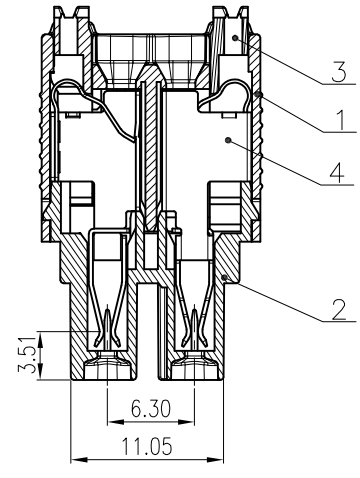
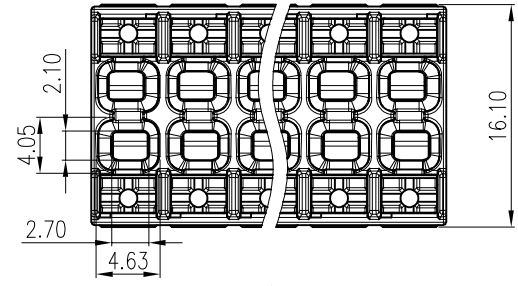


REV	DESCRIPTION	DRW.	DATE
00	初版发行	C.W	2024.01.07



Notes/备注:

1. Electrical properties/电气特性
UL Standard/UL标准

Use Group/应用组别	B	C	D
Rated Voltage/额定电压 (V)	300	/	300
Rated Current/额定电流 (A)	10	/	10
Withstanding voltage/工频耐电压	AC 1600V/1Min		

IEC Standard/IEC标准

Rated Voltage/额定电压 (V): 630
Rated Current/额定电流 (A): 12

Overvoltage Category/过电压类别 /Pollution Degree/污染等级	II/2	III/2	III/3
Voltage/电压 (V)	630	320	320
Rated Impulse Voltage/冲击耐电压 (KV)	4	4	4

2. Connection data/连接数据

Wire range/线径范围(AWG/mm²): 26~14/0.2~1.5
Stripping length/剥线长度(mm): 8~10

3. Environmental safety/环境安全

Operating temperature/工作温度范围(°C): -40~+105
RoHS compliant/符合RoHS环保要求

04~12P: 带卡点/04P to 12P with wedge
14P~48P: 不带卡点/14P to 48P without wedge

4	Clamp 夹片	Copper Alloy	Sn Plated
3	Button 按钮	PA66-GF	UL94 V-0
2	Cover 盖板	PA66	UL94 V-0
1	Housing 主体	PA66	UL94 V-0
ITEM	NAME OF PART	MATERIAL	NOTES

Part No./料号说明:

F7G-5.08-XXP-X

Poles/P数
04: 4Poles
06: 6Poles
...
48: 48Poles

Color/颜色
1: Brown/棕色
2: Red/红色
3: Orange/橙色
4: Yellow/黄色
5: Green/绿色
6: Blue/蓝色
7: Purple/紫色
8: Grey/灰色
9: White/白色
A: Black/黑色

Nominal dimension Tolerances (mm)							
0	over 18	over 30	over 50	over 80	over 120	over 180	over 250
to 18	to 30	to 50	to 80	to 120	to 180	to 250	to 320
±0.25	±0.3	±0.35	±0.5	±0.7	±0.9	±1.0	±1.2

APP. M.X.B	DATE: 2024.01.07	PART NO.: F7G-5.08-XXP-X	
CHK. M.C.N	DATE: 2024.01.07		
DRW. C.W	DATE: 2024.01.07	DARWING TYPE: Customer Drawing	
PROJECTION		UNITS: mm	SCALE: 2.5:1 SHEET/OF: 1/1
		昆山艾尼维尔电子有限公司 KUN SHAN AINEWELL ELECTRONICS CO.,LTD	